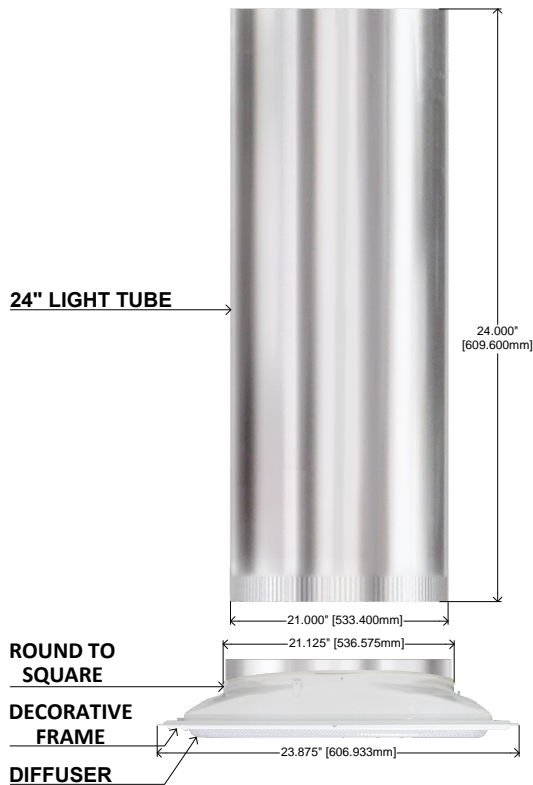
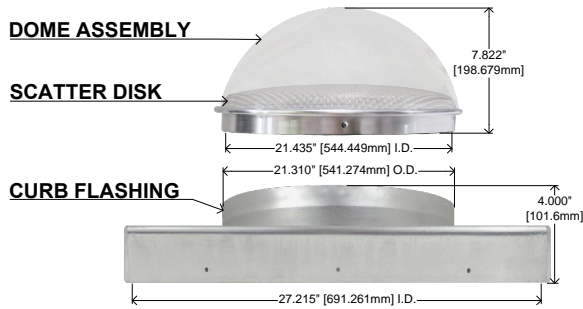


# 21ELTS MODEL SPECIFICATIONS

APPLICATIONS: FOR DROP  
SUSPENDED CEILING



**DOMES ASSEMBLY:** DOME SEALED WITH HIGH PERFORMANCE SEALANT AND LOCKED ONTO AN ALUMINUM RING TO ELIMINATE ANY STRESS AND INCREASE LONG TERM DURABILITY. UNIQUE DESIGN TO ALLOW ANY CONDENSATION BUILD-UP TO ESCAPE BY SITTING OUTSIDE THE FLASHING.

**MATERIAL:** 100% HIGH-IMPACT ACRYLIC WITH UV STABILIZERS, .220" (5.588MM) THICKNESS PRIOR TO FORMING, CC2 LIGHT-TRANSMISSION PLASTIC MATERIAL, NON-YELLOWING. 1100-O ALUMINUM DOME RING, .063" (1.6002MM) THICKNESS. OSHA FALL PROTECTION CERTIFIED.

**SCATTER DISK:** DESIGNED TO HELP DISTRIBUTE LIGHT EVENLY THROUGHOUT ROOM BELOW BY SCATTERING LIGHT RAYS INTO THE LIGHT TUBE, ELIMINATING SHARP SUN RAYS AND RAINBOW EFFECT. ALSO CAPTURES SUNLIGHT FROM LOW ANGLES INTO THE LIGHT TUBE.

**MATERIAL:** 100% HIGH-IMPACT PRISMATIC ACRYLIC WITH UV STABILIZERS, .125" (3.175MM) THICKNESS PRIOR TO FORMING, CC2 LIGHT-TRANSMISSION PLASTIC MATERIAL, NON-YELLOWING.

**DUST SEAL:** DESIGNED TO PREVENT BUG, DIRT, AND AIR-INFILTRATION IN THREE BREATHABLE LOCATIONS OF THE TUBULAR SKYLIGHT.

**MATERIAL:** POLYPROPYLENE WEATHERSTRIP PILE WITH 3M ADHESIVE BACKING.

**ROOF FLASHING:** ENGINEERED ONE-PIECE SEAMLESS FLASHING WITH 4" (101.6MM) WIDE BASE FLANGE TO SECURE AGAINST ANY LEAKS AND INCREASE LONG TERM DURABILITY.

**MATERIAL:** 1100-O ALUMINUM .080" (2.032MM) THICKNESS

**OPTIONS:**

FLAT - 6" (152.400MM) & 9" (225.600MM), HEIGHT .

PITCHED - FOR 3-5/12 PITCHED ROOFS; CAN BE USED ON HIGHER PITCH ROOFS WITH ELBOWS.

CURB CAP - FOR WOOD OR METAL BUILT-UP CURBS. 27.215" X 27.215" (691.261MM x 691.261MM)

**LIGHT TUBE/ELBOW:** 98% REFLECTIVE ANODIZED ALUMINUM LIGHT TUBES AVAILABLE IN 24" (609.6MM) RIGID LENGTHS, AND ALSO ADJUSTABLE ELBOWS AVAILABLE IN 12" (304.8MM) SECTIONS.

**MATERIAL:** .020" (0.508MM) THICKNESS ANODIZED FINISH ALUMINUM, 25 YEAR MANUFACTURE WARRANTY AGAINST CRACKING, PEELING OR YELLOWING.

**ROUND TO SQUARE:** TRANSITION BOX FOR DROP/SUSPENDED CEILINGS. 2'x2' TRANSITION BOX SITS ON CEILING GRID.

**MATERIAL:** 1100-O ALUMINUM .063" (1.6002MM) THICKNESS, POWDER COATED GLOSSY WHITE.

**DIFFUSER:** DUAL PANEL POLYCARBONATE PRISMATIC DIFFUSER SEALED WITH COMPRESSION SET RESISTANT FOAM TAPE TO DISTRIBUTE DAYLIGHT EVENLY INTO A ROOM WITHOUT HARMFUL OR HARSH SUN RAYS. OPTIONAL MAXLUM OR WHITE DIFFUSER.

**MATERIAL:** IMPACT RESISTANT POLYCARBONATE, WITH UV STABILIZERS, CC1 LIGHT-TRANSMISSION PLASTIC MATERIAL, NON-YELLOWING. FOAM TAPE, GOLD SERIES POLYETHYLENE FOAM WITH 3M ADHESIVE BACKING USED TO BIND TRIPLE PANEL DIFFUSER LAYERS, MOLD, MILDEW AND FUNGUS RESISTANT.

**DECORATIVE FRAME:** WHITE POWDER-COATED, YELLOWING RESISTANT, FRAME FASTENS TO ROUND TO SQUARE WITH TWO SWIVEL CLIPS WITH DUAL DIFFUSER TO PROVIDE A TIGHT SEAL, MINIMISING HEAT GAIN OR LOSS.

**MATERIAL:** 20GA THICKNESS, ELECTRO GALVANIZED STEEL, POWDER COATED GLOSSY WHITE.

## FLASHING OPTIONS



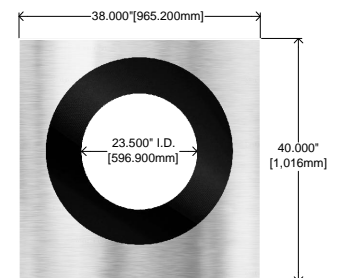
FLAT FLASHING



PITCHED FLASHING

## ALUMINUM TILE SKIRT

CONFORMS TO ROOF TILES,  
ADDITIONAL LAYER OF  
PROTECTION PREVENTS  
LEAKS.



APPROXIMATE COVERAGE AREA	APPROXIMATE LIGHT OUTPUT (LUMENS) WILL VARY WITH CEILING HEIGHT	EQUIVALENT OPTICAL POWER (WATTS)
600 FT <sup>2</sup>	UP TO 13900	APPROX. 1,200

TIME OF DAY, SEASON, LENGTH OF TUBE AND ELBOWS WILL VARY LIGHT OUTPUT

ALL ETS COMPONENTS MANUFACTURED IN CHANDLER, AZ SINCE 2001



FLORIDA BUILDING CODE  
FL21444



DO NOT SCALE DRAWING

DESCRIPTION:  
**21" LUMINARIA TUBULAR SKYLIGHT**

PART No:  
**21ELTS**

DWG No:  
**21ELTS-2019**

DATE:  
**03-2019**

REV:

DRAWN BY:  
**J. ESTRADA**

THIS DRAWING AND THE INFORMATION CONTAINED HERE IN IS THE SOLE PROPERTY OF ELITE SOLAR SYSTEMS, INC. ALL IDEAS ARE CLASSIFIED AND CANNOT BE REVEALED TO ANYONE WHO MAY BE CONSIDERED A COMPETITION. UNAUTHORIZED USE OR REPRODUCTION OF ANY PART OF THIS DRAWING IS STRICTLY PROHIBITED.