



THE BRIGHTER ALTERNATIVE

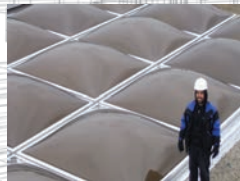


artisticskylight.com

255 Regina Road, Vaughan, Ontario L4L 8M3, 1-866-878-DOME(3663)

Artistic

SKYLIGHT DOMES



artisticskylight.com

255 Regina Road, Woodbridge, ON L4L 8M3, 1-866-878-DOME (3663)

<p style="text-align: center; font-size: 2em; font-weight: bold;">1</p>	<p>UNIT SKYLIGHTS (CURB MOUNT)</p> <ul style="list-style-type: none"> • Fixed Glass • Venting Glass • Fixed Dome • Venting Dome • Energy Efficient Triple Glazed Dome
<p style="text-align: center; font-size: 2em; font-weight: bold;">2</p>	<p>UNIT SKYLIGHTS (SELF FLASHING)</p> <ul style="list-style-type: none"> • Fixed Glass • Venting Glass • Fixed Dome • Venting Dome • Durable Aluminum Base Frame • Energy Efficient Triple Glazed Dome
<p style="text-align: center; font-size: 2em; font-weight: bold;">3</p>	<p>COMMERCIAL PRE-FABRICATED INSULATED CURB SKYLIGHTS</p> <ul style="list-style-type: none"> • Thermal Curb Frame • Durable Aluminum Curb Frame • Energy Efficient Triple Glazed Dome
<p style="text-align: center; font-size: 2em; font-weight: bold;">4</p>	<p>COMMERCIAL UNIT SKYLIGHTS</p> <ul style="list-style-type: none"> • Fixed Glass • Fixed Dome • Energy Efficient Triple Glazed Dome • Removable Skylight
<p style="text-align: center; font-size: 2em; font-weight: bold;">5</p>	<p>STRUCTURAL / ARCHITECTURAL SKYLIGHTS</p> <ul style="list-style-type: none"> • Thermal Plastic & Glass Glazing • Continuous Skylights • Butted & Cluster Skylights • Structural Pyramid
<p style="text-align: center; font-size: 2em; font-weight: bold;">6</p>	<p>CIRCULAR SKYLIGHTS</p> <ul style="list-style-type: none"> • Pre-Fabricated Insulated Curb • Curb Mount • Wall Mount, Glass & Dome
<p style="text-align: center; font-size: 2em; font-weight: bold;">7</p>	<p>PYRAMID SKYLIGHTS (THERMAL FORMED PLASTIC)</p> <ul style="list-style-type: none"> • Thermal Curb Frame • Durable Aluminum Curb Frame • Formed Ridge Type • Pre-Fabricated Insulated Curb • Butted Skylight
<p style="text-align: center; font-size: 2em; font-weight: bold;">8</p>	<p>HATCH-LITES</p> <ul style="list-style-type: none"> • Curb Mount (Flat & Slope Roof) • Pre-Fabricated Insulated Curb

1

UNIT SKYLIGHTS (CURB MOUNT)

- Fixed Glass
- Venting Glass
- Fixed Dome
- Venting Dome
- Energy Efficient Triple Glazed Dome

Insulating glazing units conform to and exceed test requirements of CAN/CGSB-12.8-M90 and IGMAC certification program.

Skylights are suitable for use on all types of slope roofs with minimum slope requirement of 3:12. Designed for mounting on 1 1/2" (38mm) curbs with flashing (by others), these units provide excellent performance in all geographic locations.

- Flashing kits available for asphalt shingle roofs
- Custom sizes are available upon request



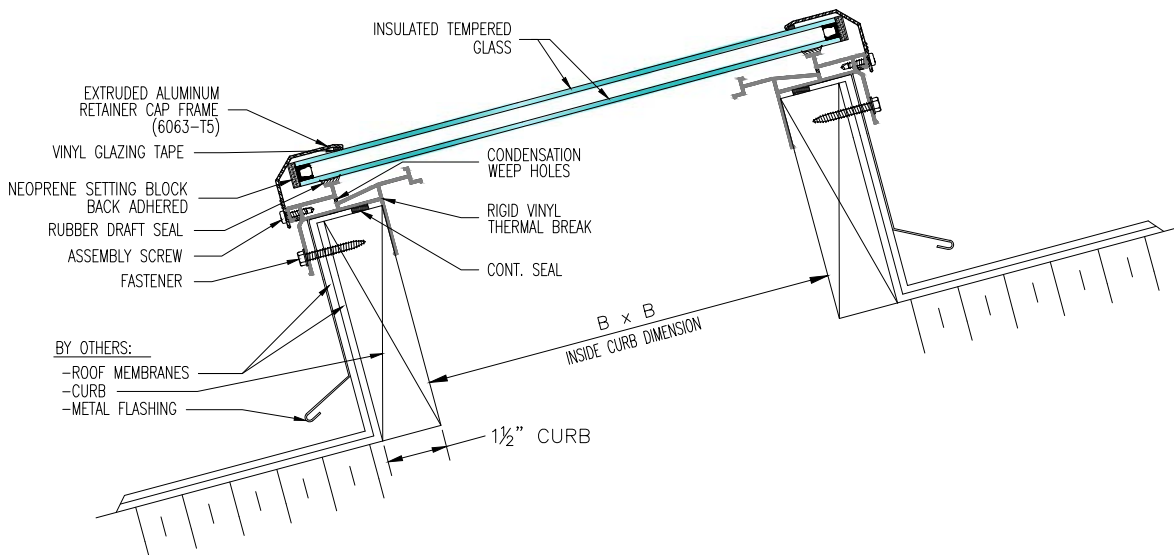
Specifications:

Skylight shall be factory assembled Model No. _____ G-PVCCM as manufactured by Artistic Skylight Domes Ltd. Vaughan, Ontario. Glazing shall consist of, sealed dual tempered glass of clear low-E over clear. The skylight shall consist of rigid high-impact extruded vinyl curb frame (superior in thermal conductivity to aluminum) which incorporates a high capacity, 10 degree sloped condensation gutter with drainage to exterior, co-extruded rubber draft seal. The retaining cap frame shall be extruded, mill finish (optional baked enamel), 6063-T5 aluminum alloy with heliarc welded corners.

Project:
Contractor:
Architect:
Approved By:
Date:

Model G-PVCCM Available Sizes				
Model #	B x B Dimensions	Glass Glazing Type	Flashing Kit y/n	QTY
G-PVCCM 2020	14 1/4" x 14 1/4" (362mm x 362mm)			
G-PVCCM 2052	14 1/4" x 46 1/4" (362mm x 1175mm)			
G-PVCCM 2828	22 1/4" x 22 1/4" (565mm x 565mm)			
G-PVCCM 2836	22 1/4" x 30 1/4" (565mm x 768mm)			
G-PVCCM 2852	22 1/4" x 46 1/4" (565mm x 1175mm)			
G-PVCCM 2860	22 1/4" x 55" (565mm x 1397mm)			
G-PVCCM 2876	22 1/4" x 69 1/2" (565mm x 1765mm)			
G-PVCCM 2896	22 1/4" x 89 1/2" (565mm x 2273mm)			
G-PVCCM 3636	30 1/4" x 30 1/4" (768mm x 768mm)			
G-PVCCM 3642	30 1/4" x 37" (768mm x 940mm)			
G-PVCCM 3652	30 1/4" x 46 1/4" (768mm x 1175mm)			
G-PVCCM 3660	30 1/4" x 55" (768mm x 1397mm)			
G-PVCCM 3676	30 1/4" x 69 1/2" (768mm x 1765mm)			
G-PVCCM 3696	30 1/4" x 89 1/2" (768mm x 2273mm)			
G-PVCCM 4242	37" x 37" (940mm x 940mm)			
G-PVCCM 4252	37" x 46 1/4" (940mm x 1175mm)			
G-PVCCM 4280	37" x 75" (940mm x 1905mm)			
G-PVCCM 5252	46 1/4" x 46 1/4" (1175mm x 1175mm)			
G-PVCCM 5260	46 1/4" x 55" (1175mm x 1397mm)			
G-PVCCM 5276	46 1/4" x 69 1/2" (1175mm x 1765mm)			
G-PVCCM 6060	55" x 55" (1397mm x 1397mm)			
G-PVCCM CUST.				
G-PVCCM CUST.				

Glass Glazing Available			
Glass Glazing	Colour Code	Glass Glazing	Colour Code
Clear/Low-E	- Low-E	Clear/Laminated	- Lami.
Bronze/Low-E	- B/Low-E	Argon/Low-E	- Low-E/Arg



Insulating glazing units conform to and exceed test requirements of CAN/CGSB-12.8-M90 and IGMAC certification program.

Skylights are suitable for use on all types of flat roofs with minimum slope requirement of 3:12. Designed for mounting on 1 1/2" (38mm) curbs with flashing (by others), these units provide excellent performance in all geographic locations.

- Flashing kits available for asphalt shingle roofs
- Custom sizes are available upon request



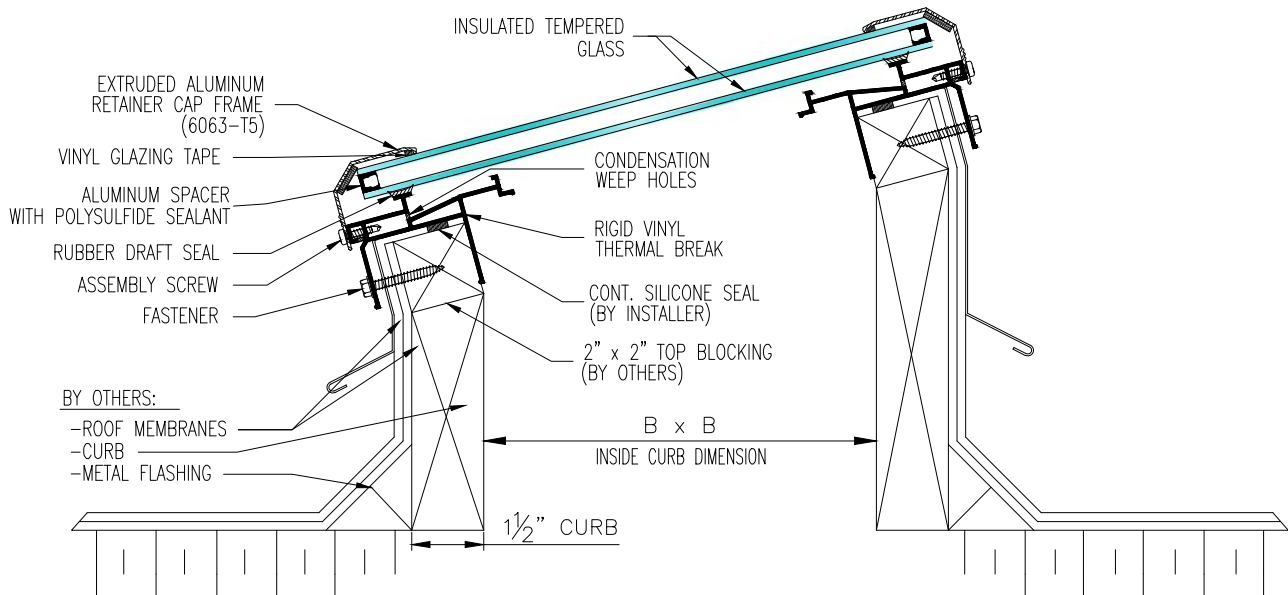
Specifications:

Skylight shall be factory assembled Model No. _____ G-PVCCM as manufactured by Artistic Skylight Domes Ltd. Vaughan, Ontario. Glazing shall consist of, sealed dual tempered glass of clear low-E over clear. The skylight shall consist of rigid high-impact extruded vinyl curb frame (superior in thermal conductivity to aluminum) which incorporates a high capacity, 10 degree sloped condensation gutter with drainage to exterior, co-extruded rubber draft seal. The retaining cap frame shall be extruded, mill finish (optional baked enamel), 6063-T5 aluminum alloy with heliarc welded corners.

Project:
Contractor:
Architect:
Approved By:
Date:

Model G-PVCCM Available Sizes				
Model #	B x B Dimensions	Glass Glazing Type	Flashing Kit y/n	QTY
G-PVCCM 2020	14 1/4" x 14 1/4" (362mm x 362mm)			
G-PVCCM 2052	14 1/4" x 46 1/4" (362mm x 1175mm)			
G-PVCCM 2828	22 1/4" x 22 1/4" (565mm x 565mm)			
G-PVCCM 2836	22 1/4" x 30 1/4" (565mm x 768mm)			
G-PVCCM 2852	22 1/4" x 46 1/4" (565mm x 1175mm)			
G-PVCCM 2860	22 1/4" x 55" (565mm x 1397mm)			
G-PVCCM 2876	22 1/4" x 69 1/2" (565mm x 1765mm)			
G-PVCCM 2896	22 1/4" x 89 1/2" (565mm x 2273mm)			
G-PVCCM 3636	30 1/4" x 30 1/4" (768mm x 768mm)			
G-PVCCM 3642	30 1/4" x 37" (768mm x 940mm)			
G-PVCCM 3652	30 1/4" x 46 1/4" (768mm x 1175mm)			
G-PVCCM 3660	30 1/4" x 55" (768mm x 1397mm)			
G-PVCCM 3676	30 1/4" x 69 1/2" (768mm x 1765mm)			
G-PVCCM 3696	30 1/4" x 89 1/2" (768mm x 2273mm)			
G-PVCCM 4242	37" x 37" (940mm x 940mm)			
G-PVCCM 4252	37" x 46 1/4" (940mm x 1175mm)			
G-PVCCM 4280	37" x 75" (940mm x 1905mm)			
G-PVCCM 5252	46 1/4" x 46 1/4" (1175mm x 1175mm)			
G-PVCCM 5260	46 1/4" x 55" (1175mm x 1397mm)			
G-PVCCM 5276	46 1/4" x 69 1/2" (1175mm x 1765mm)			
G-PVCCM 6060	55" x 55" (1397mm x 1397mm)			
G-PVCCM CUST.				
G-PVCCM CUST.				

Glass Glazing Available			
Glass Glazing	Colour Code	Glass Glazing	Colour Code
Clear/Low-E	- Low-E	Clear/Laminated	- Lami.
Bronze/Low-E	- B/Low-E	Argon/Low-E	- Low-E/Arg



Skylights conform to and exceed test requirements of CAN/CGSB-63.14M89, "Plastic Skylights", Class D, Type 2 or Type 3.

Skylights are suitable for use on all type slope roofs. Designed for mounting on 4" (102mm) curbs with flashing (by others), these units provide excellent performance in all geographic locations.

- Custom sizes are available upon request



Specifications:

Skylight shall be factory assembled Model No. _____ G-PVCCM as manufactured by Artistic Skylight Domes Ltd. Vaughan, Ontario. Glazing shall consist of, sealed double acrylic domes (or sealed triple domes) of clear, white, bronze, or grey. The skylight shall consist of rigid high-impact extruded vinyl curb frame (superior in thermal conductivity to aluminum) which incorporates a high capacity, 10 degree sloped condensation gutter with drainage to exterior, co-extruded rubber draft seal. The retaining cap frame shall be extruded, mill finish (optional baked enamel), 6063-T5 aluminum alloy with heliarc welded corners.

Project:

Contractor:

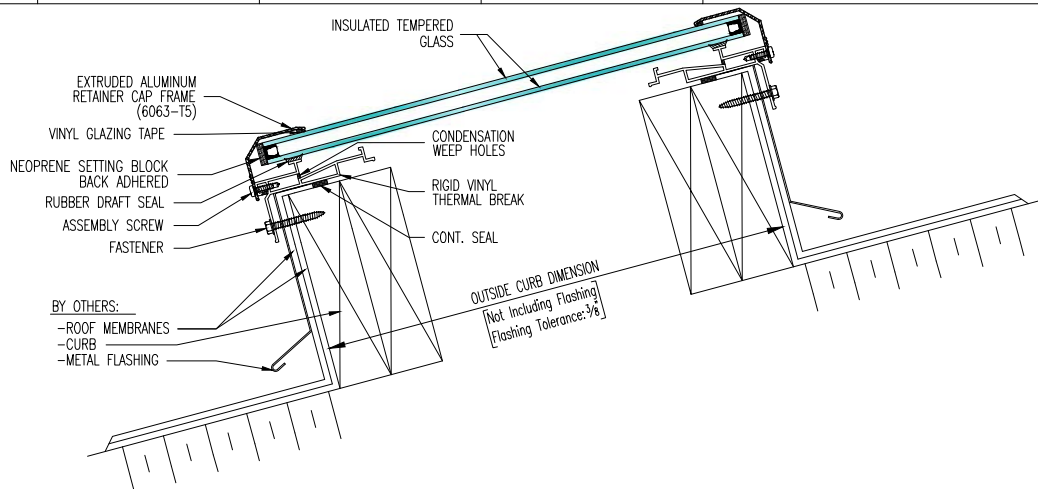
Architect:

Approved By:

Date:

Model G-PVCCM Available Sizes			
Model #	Outside Curb Dimensions	Dome Color	QTY
G-PVCCM 2020	17¼" x 17¼" (435mm x 435mm)		
G-PVCCM 2052	17¼" x 49¼" (435mm x 1251mm)		
G-PVCCM 2828	25¼" x 25¼" (641mm x 641mm)		
G-PVCCM 2836	25¼" x 33¼" (641mm x 845mm)		
G-PVCCM 2852	25¼" x 49¼" (641mm x 1251mm)		
G-PVCCM 2860	25¼" x 58" (641mm x 1473mm)		
G-PVCCM 2876	25¼" x 72¼" (641mm x 1842mm)		
G-PVCCM 2896	25¼" x 92¼" (641mm x 2349mm)		
G-PVCCM 3636	33¼" x 33¼" (845mm x 845mm)		
G-PVCCM 3642	33¼" x 40" (845mm x 1016mm)		
G-PVCCM 3652	33¼" x 49¼" (845mm x 1251mm)		
G-PVCCM 3660	33¼" x 58" (845mm x 1473mm)		
G-PVCCM 3676	33¼" x 72¼" (845mm x 1842mm)		
G-PVCCM 3696	33¼" x 92¼" (845mm x 2349mm)		
G-PVCCM 4242	40" x 40" (1016mm x 1016mm)		
G-PVCCM 4252	40" x 49¼" (1016mm x 1251mm)		
G-PVCCM 4280	40" x 78" (1016mm x 1981mm)		
G-PVCCM 5252	49¼" x 49¼" (1251mm x 1251mm)		
G-PVCCM 5260	49¼" x 58" (1251mm x 1473mm)		
G-PVCCM 5276	49¼" x 72¼" (1251mm x 1842mm)		
G-PVCCM 5280	49¼" x 78" (1251mm x 1981mm)		
G-PVCCM 5296	49¼" x 92¼" (1251mm x 2349mm)		
G-PVCCM 6060	58" x 58" (1473mm x 1473mm)		
G-PVCCM 6076	58" x 72¼" (1473mm x 1842mm)		
G-PVCCM 6096	58" x 92¼" (1473mm x 2349mm)		
G-PVCCM 7272	70" x 70" (1778mm x 1778mm)		
G-PVCCM 7296	70" x 92¼" (1778mm x 2349mm)		
G-PVCCM CUST.			
G-PVCCM CUST.			

Dome Colors Available			
Dome Color	Colour Code	Dome Color	Colour Code
Clear	- C	White	- W
Bronze	- B	Grey	- G





Insulating glazing units conform to and exceed test requirements of CAN/CGSB-12.8-M90 and IGMAC certification program.

Skylights are suitable for use on all types of slope roofs. Designed for mounting on 1½" (38mm) curbs with flashing (by others), these units provide excellent performance in all geographic locations.

- Flashing kits available for asphalt shingle roofs.
- Custom sizes are available upon request

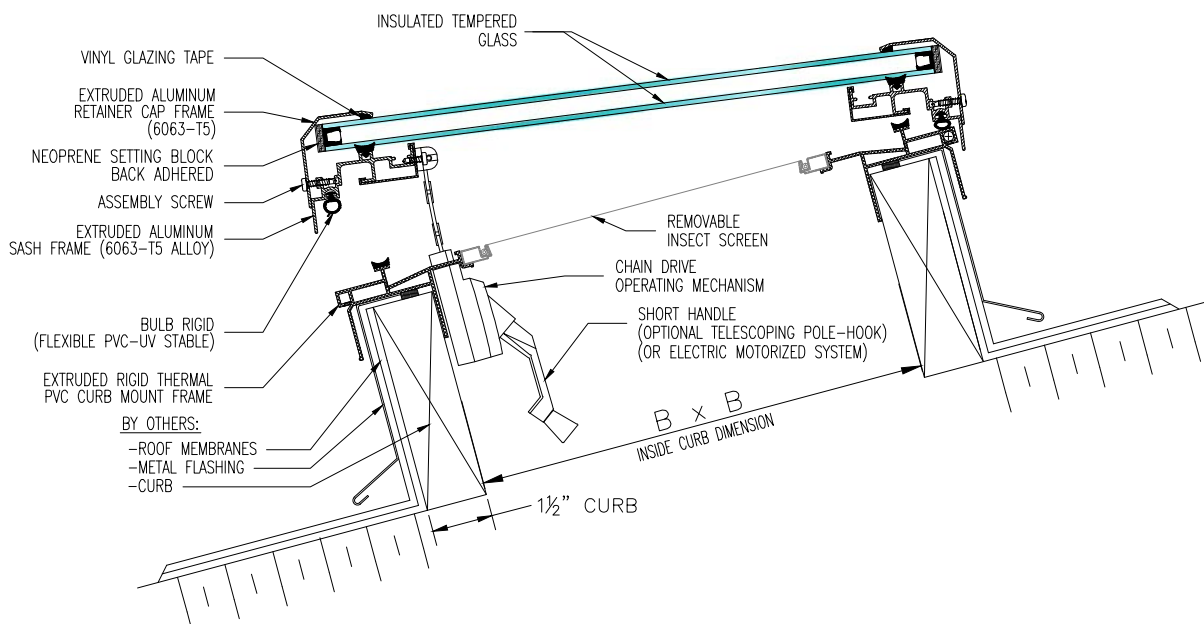
Specifications:

Skylight shall be factory assembled Model No. _____ GV-PVCCM as manufactured by Artistic Skylight Domes Ltd. Vaughan, Ontario. Glazing shall consist of sealed double tempered glass of clear low-E over clear. The skylight incorporates a heavy-duty corrosion resistant chain drive operating mechanism, pin pivot hinge system and removable insect screen. The skylight shall consist of rigid high-impact extruded vinyl curb frame (superior in thermal conductivity to aluminum) which incorporates a high capacity, 10 degree sloped condensation gutter with drainage to exterior, co-extruded rubber draft seal and a white baked enamel extruded aluminum sash frame, alloy 6063-T5. The retaining cap frame shall be extruded, mill finish (optional baked enamel), 6063-T5 aluminum alloy with heliarc welded corners. An optional telescoping pole-hook or electric motorized system are available.

Model GV-PVCCM Available Sizes					
Model #	B x B Dimensions		Glass Glazing Type	Flashing Kit QTY	QTY
GV-PVCCM 2828	22¼" x 22¼"	(565mm x 565mm)			
GV-PVCCM 2836	22¼" x 30¼"	(565mm x 768mm)			
GV-PVCCM 2852	22¼" x 46¼"	(565mm x 1175mm)			
GV-PVCCM 2860	22¼" x 55"	(565mm x 1397mm)			
GV-PVCCM 2876	22¼" x 69½"	(565mm x 1765mm)			
GV-PVCCM 3636	30¼" x 30¼"	(768mm x 768mm)			
GV-PVCCM 3642	30¼" x 37"	(768mm x 940mm)			
GV-PVCCM 3652	30¼" x 46¼"	(768mm x 1175mm)			
GV-PVCCM 3660	30¼" x 55"	(768mm x 1397mm)			
GV-PVCCM 4242	37" x 37"	(940mm x 940mm)			
GV-PVCCM 4252	37" x 46¼"	(940mm x 1175mm)			
GV-PVCCM 5252	46¼" x 46¼"	(1175mm x 1175mm)			
GV-PVCCM CUST.					
GV-PVCCM CUST.					

Glass Glazing Available			
Glass Glazing	Colour Code	Glass Glazing	Colour Code
Clear/Low-E	- Low-E	Clear/Laminated	- Lami.
Bronze/Low-E	- B/Low-E	Argon/Low-E	- Low-E/Arg

Project:	Architect:
Contractor:	Approved By:
	Date:



Glass Venting Curb Mount Skylight (flat roof detail)

Insulating glazing units conform to and exceed test requirements of CAN/CGSB-12.8-M90 and IGMAC certification program.

Skylights are suitable for use on all types of flat roofs. Designed for mounting on 1½" (38mm) curbs with flashing (by others), these units provide excellent performance in all geographic locations.

- Flashing kits available for asphalt shingle roofs.
- Custom sizes are available upon request



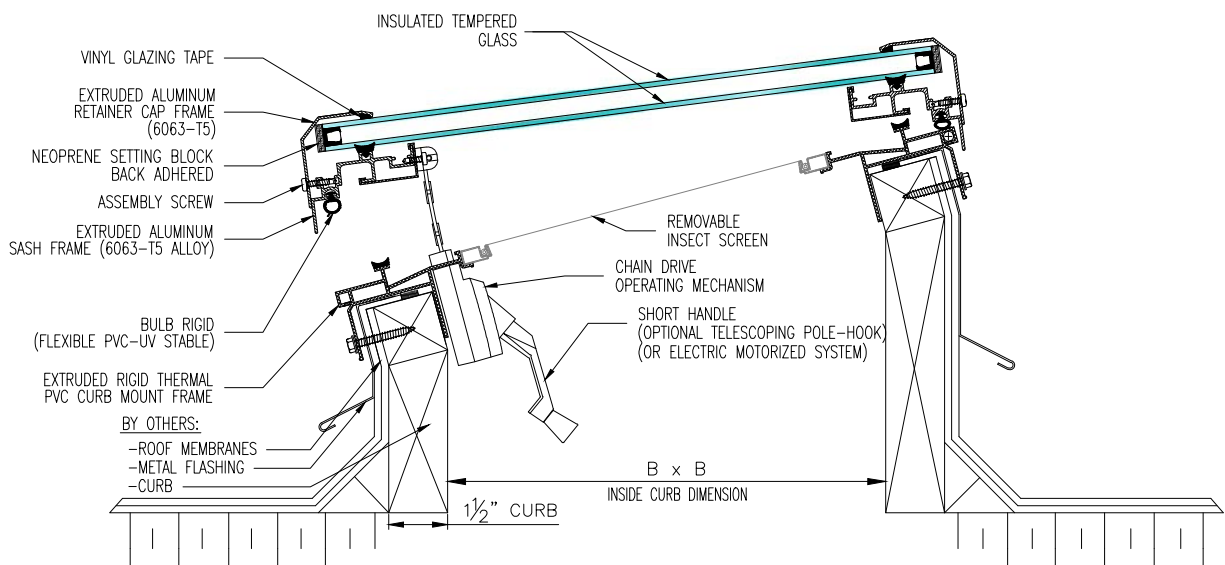
Specifications:

Skylight shall be factory assembled Model No. _____ GV-PVCCM as manufactured by Artistic Skylight Domes Ltd. Vaughan, Ontario. Glazing shall consist of sealed double tempered glass of clear low-E over clear. The skylight incorporates a heavy-duty corrosion resistant chain drive operating mechanism, pin pivot hinge system and removable insect screen. The skylight shall consist of rigid high-impact extruded vinyl curb frame (superior in thermal conductivity to aluminum) which incorporates a high capacity, 10 degree sloped condensation gutter with drainage to exterior, co-extruded rubber draft seal and a white baked enamel extruded aluminum sash frame, alloy 6063-T5. The retaining cap frame shall be extruded, mill finish (optional baked enamel), 6063-T5 aluminum alloy with heliarc welded corners. An optional telescoping pole-hook or electric motorized system are available.

Model GV-PVCCM Available Sizes					
Model #	B x B Dimensions		Glass Glazing Type	Flashing Kit QTY	QTY
GV-PVCCM 2828	22¼" x 22¼"	(565mm x 565mm)			
GV-PVCCM 2836	22¼" x 30¼"	(565mm x 768mm)			
GV-PVCCM 2852	22¼" x 46¼"	(565mm x 1175mm)			
GV-PVCCM 2860	22¼" x 55"	(565mm x 1397mm)			
GV-PVCCM 2876	22¼" x 69½"	(565mm x 1765mm)			
GV-PVCCM 3636	30¼" x 30¼"	(768mm x 768mm)			
GV-PVCCM 3642	30¼" x 37"	(768mm x 940mm)			
GV-PVCCM 3652	30¼" x 46¼"	(768mm x 1175mm)			
GV-PVCCM 3660	30¼" x 55"	(768mm x 1397mm)			
GV-PVCCM 4242	37" x 37"	(940mm x 940mm)			
GV-PVCCM 4252	37" x 46¼"	(940mm x 1175mm)			
GV-PVCCM 5252	46¼" x 46¼"	(1175mm x 1175mm)			
GV-PVCCM CUST.					
GV-PVCCM CUST.					

Glass Glazing Available			
Glass Glazing	Colour Code	Glass Glazing	Colour Code
Clear/Low-E	- Low-E	Clear/Laminated	- Lami.
Bronze/Low-E	- B/Low-E	Argon/Low-E	- Low-E/Arg

Project:	Architect:
Contractor:	Approved By:
	Date:



Skylights conform to and exceed test requirements of CAN/CGSB-63.14M89, "Plastic Skylights", Class A, Type 2 or Type 3.

Skylights are suitable for use on all type of slope roofs. Designed for mounting on 1½" (38mm) or 4" (102mm) curbs with flashing (by others), these units provide excellent performance in all geographic locations.

- Flashing kits available for asphalt shingle roofs
- Custom sizes are available upon request



Specifications:

Skylight shall be factory assembled Model No. _____ PVCCM as manufactured by Artistic Skylight Domes Ltd. Vaughan, Ontario. Glazing shall consist of, sealed double acrylic domes (or sealed triple domes) of clear, white, bronze, or grey. The skylight shall consist of rigid high-impact extruded vinyl curb frame (superior in thermal conductivity to aluminum) which incorporates a high capacity, 10 degree sloped condensation gutter with drainage to exterior, co-extruded rubber draft seal. The retaining cap frame shall be extruded, mill finish (optional baked enamel), 6063-T5 aluminum alloy with heliarc welded corners.

Customer:

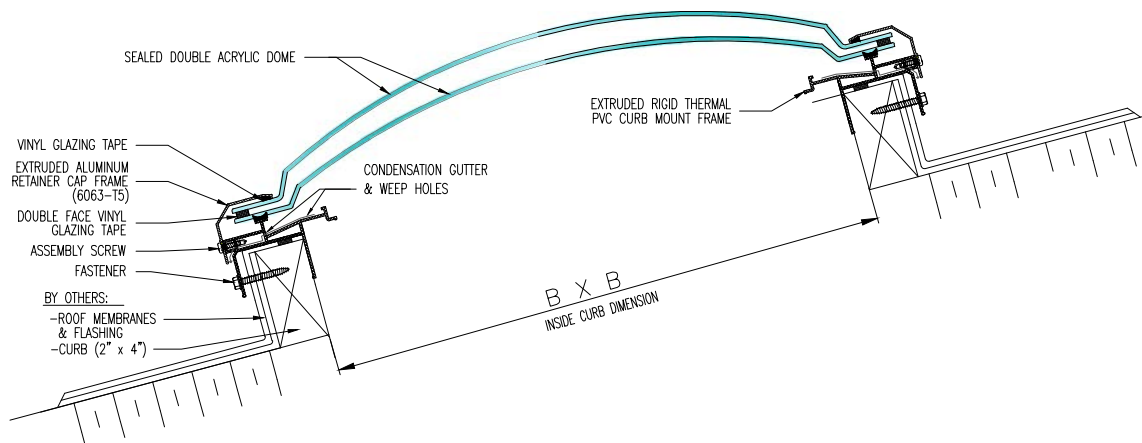
Job:

Model:

Quantity:

Model PVCCM Available Sizes				
Model #	B x B Dimensions	Dome Color	Flashing Kit y/n	QTY
PVCCM 2020	14¼" x 14¼" (362mm x 362mm)			
PVCCM 2052	14¼" x 46¼" (362mm x 1175mm)			
PVCCM 2828	22¼" x 22¼" (565mm x 565mm)			
PVCCM 2836	22¼" x 30¼" (565mm x 768mm)			
PVCCM 2852	22¼" x 46¼" (565mm x 1175mm)			
PVCCM 2860	22¼" x 55" (565mm x 1397mm)			
PVCCM 2876	22¼" x 69½" (565mm x 1765mm)			
PVCCM 2896	22¼" x 89½" (565mm x 2273mm)			
PVCCM 3636	30¼" x 30¼" (768mm x 768mm)			
PVCCM 3642	30¼" x 37" (768mm x 940mm)			
PVCCM 3652	30¼" x 46¼" (768mm x 1175mm)			
PVCCM 3660	30¼" x 55" (768mm x 1397mm)			
PVCCM 3676	30¼" x 69½" (768mm x 1765mm)			
PVCCM 3696	30¼" x 89½" (768mm x 2273mm)			
PVCCM 4242	37" x 37" (940mm x 940mm)			
PVCCM 4252	37" x 46¼" (940mm x 1175mm)			
PVCCM 4280	37" x 75" (940mm x 1905mm)			
PVCCM 5252	46¼" x 46¼" (1175mm x 1175mm)			
PVCCM 5260	46¼" x 55" (1175mm x 1397mm)			
PVCCM 5276	46¼" x 69½" (1175mm x 1765mm)			
PVCCM 5280	46¼" x 75" (1175mm x 1905mm)			
PVCCM 5296	46¼" x 89½" (1175mm x 2273mm)			
PVCCM 6060	55" x 55" (1397mm x 1397mm)			
PVCCM 6076	55" x 69½" (1397mm x 1765mm)			
PVCCM 6096	55" x 89½" (1397mm x 2273mm)			
PVCCM 7272	67" x 67" (1702mm x 1702mm)			
PVCCM 7296	67" x 89½" (1702mm x 2273mm)			
PVCCM CUST.				
PVCCM CUST.				

Dome Colors Available			
Dome Color	Colour Code	Dome Color	Colour Code
Clear	- C	White	- W
Bronze	- B	Grey	- G





Skylights conform to and exceed test requirements of CAN/CGSB-63.14M89, "Plastic Skylights", Class D, Type 2 or Type 3.

Skylights are suitable for use on all type of flat roofs. Designed for mounting on 1½" (38mm) or 4" (102mm) curbs with flashing (by others), these units provide excellent performance in all geographic locations.

- Custom sizes are available upon request

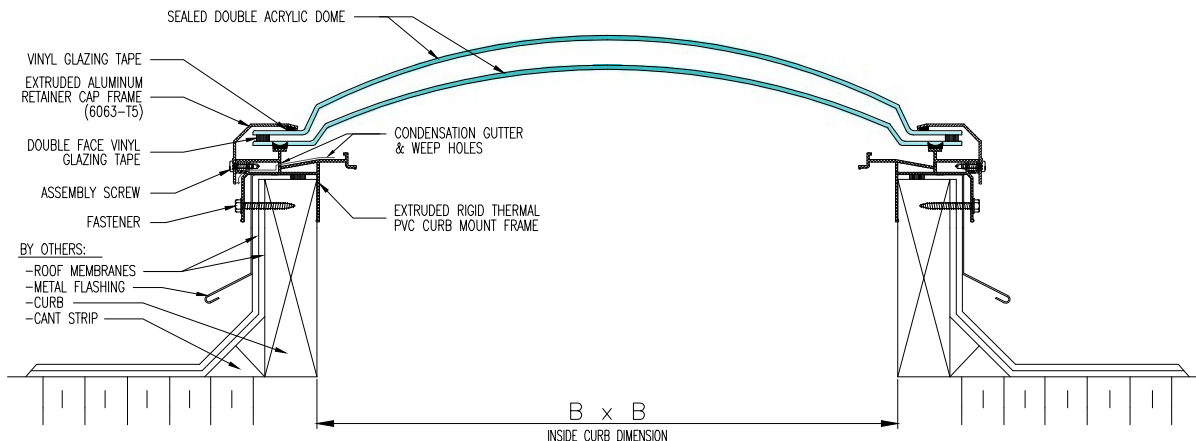
Specifications:

Skylight shall be factory assembled Model No. _____ PVCCM as manufactured by Artistic Skylight Domes Ltd. Vaughan, Ontario. Glazing shall consist of, sealed double acrylic domes (or sealed triple domes) of clear, white, bronze, or grey. The skylight shall consist of rigid high-impact extruded vinyl curb frame (superior in thermal conductivity to aluminum) which incorporates a high capacity, 10 degree sloped condensation gutter with drainage to exterior, co-extruded rubber draft seal. The retaining cap frame shall be extruded, mill finish (optional baked enamel), 6063-T5 aluminum alloy with heliarc welded corners.

Model PVCCM Available Sizes			
Model #	B x B Dimensions		Dome Color
PVCCM 2020	14¼" x 14¼"	(362mm x 362mm)	
PVCCM 2052	14¼" x 46¼"	(362mm x 1175mm)	
PVCCM 2828	22¼" x 22¼"	(565mm x 565mm)	
PVCCM 2836	22¼" x 30¼"	(565mm x 768mm)	
PVCCM 2852	22¼" x 46¼"	(565mm x 1175mm)	
PVCCM 2860	22¼" x 55"	(565mm x 1397mm)	
PVCCM 2876	22¼" x 69½"	(565mm x 1765mm)	
PVCCM 2896	22¼" x 89½"	(565mm x 2273mm)	
PVCCM 3636	30¼" x 30¼"	(768mm x 768mm)	
PVCCM 3642	30¼" x 37"	(768mm x 940mm)	
PVCCM 3652	30¼" x 46¼"	(768mm x 1175mm)	
PVCCM 3660	30¼" x 55"	(768mm x 1397mm)	
PVCCM 3676	30¼" x 69½"	(768mm x 1765mm)	
PVCCM 3696	30¼" x 89½"	(768mm x 2273mm)	
PVCCM 4242	37" x 37"	(940mm x 940mm)	
PVCCM 4252	37" x 46¼"	(940mm x 1175mm)	
PVCCM 4280	37" x 75"	(940mm x 1905mm)	
PVCCM 5252	46¼" x 46¼"	(1175mm x 1175mm)	
PVCCM 5260	46¼" x 55"	(1175mm x 1397mm)	
PVCCM 5276	46¼" x 69½"	(1175mm x 1765mm)	
PVCCM 5280	46¼" x 75"	(1175mm x 1905mm)	
PVCCM 5296	46¼" x 89½"	(1175mm x 2273mm)	
PVCCM 6060	55" x 55"	(1397mm x 1397mm)	
PVCCM 6076	55" x 69½"	(1397mm x 1765mm)	
PVCCM 6096	55" x 89½"	(1397mm x 2273mm)	
PVCCM 7272	67" x 67"	(1702mm x 1702mm)	
PVCCM 7296	67" x 89½"	(1702mm x 2273mm)	
PVCCM CUST.			
PVCCM CUST.			

Project:
Contractor:
Architect:
Approved By:
Date:

Dome Colors Available			
Dome Color	Colour Code	Dome Color	Colour Code
Clear	- C	White	- W
Bronze	- B	Grey	- G



Skylights conform to and exceed test requirements of CAN/CGSB-63.14M89, "Plastic Skylights", Class D, Type 2 or Type 3.

Skylights are suitable for use on all type of flat roofs. Designed for mounting on 4" (102mm) curbs with flashing (by others), these units provide excellent performance in all geographic locations.

- Custom sizes are available upon request



Specifications:

Skylight shall be factory assembled Model No. _____ PVCCM as manufactured by Artistic Skylight Domes Ltd. Vaughan, Ontario. Glazing shall consist of, sealed double acrylic domes (or sealed triple domes) of clear, white, bronze, or grey. The skylight shall consist of rigid high-impact extruded vinyl curb frame (superior in thermal conductivity to aluminum) which incorporates a high capacity, 10 degree sloped condensation gutter with drainage to exterior, co-extruded rubber draft seal. The retaining cap frame shall be extruded, mill finish (optional baked enamel), 6063-T5 aluminum alloy with heliarc welded corners.

Project: _____

Contractor: _____

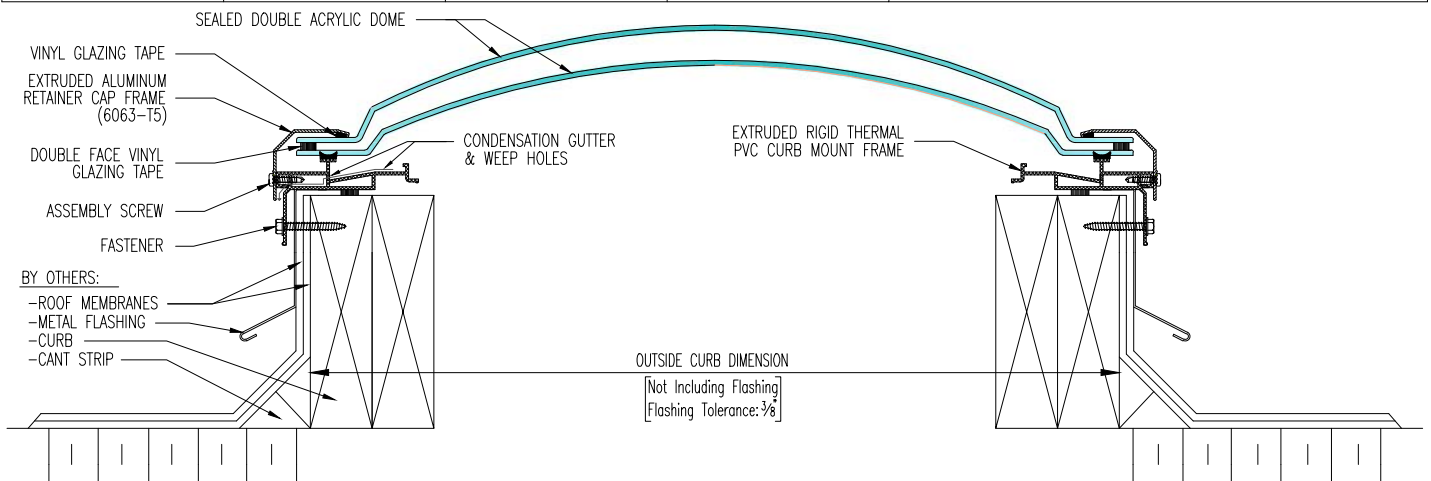
Architect: _____

Approved By: _____

Date: _____

Model PVCCM Available Sizes			
Model #	Outside Curb Dimensions	Dome Color	QTY
PVCCM 2020	17¼" x 17¼" (435mm x 435mm)		
PVCCM 2052	17¼" x 49¼" (435mm x 1251mm)		
PVCCM 2828	25¼" x 25¼" (641mm x 641mm)		
PVCCM 2836	25¼" x 33¼" (641mm x 845mm)		
PVCCM 2852	25¼" x 49¼" (641mm x 1251mm)		
PVCCM 2860	25¼" x 58" (641mm x 1473mm)		
PVCCM 2876	25¼" x 72¼" (641mm x 1842mm)		
PVCCM 2896	25¼" x 92¼" (641mm x 2349mm)		
PVCCM 3636	33¼" x 33¼" (845mm x 845mm)		
PVCCM 3642	33¼" x 40" (845mm x 1016mm)		
PVCCM 3652	33¼" x 49¼" (845mm x 1251mm)		
PVCCM 3660	33¼" x 58" (845mm x 1473mm)		
PVCCM 3676	33¼" x 72¼" (845mm x 1842mm)		
PVCCM 3696	33¼" x 92¼" (845mm x 2349mm)		
PVCCM 4242	40" x 40" (1016mm x 1016mm)		
PVCCM 4252	40" x 49¼" (1016mm x 1251mm)		
PVCCM 4280	40" x 78" (1016mm x 1981mm)		
PVCCM 5252	49¼" x 49¼" (1251mm x 1251mm)		
PVCCM 5260	49¼" x 58" (1251mm x 1473mm)		
PVCCM 5276	49¼" x 72¼" (1251mm x 1842mm)		
PVCCM 5280	49¼" x 78" (1251mm x 1981mm)		
PVCCM 5296	49¼" x 92¼" (1251mm x 2349mm)		
PVCCM 6060	58" x 58" (1473mm x 1473mm)		
PVCCM 6076	58" x 72¼" (1473mm x 1842mm)		
PVCCM 6096	58" x 92¼" (1473mm x 2349mm)		
PVCCM 7272	70" x 70" (1778mm x 1778mm)		
PVCCM 7296	70" x 92¼" (1778mm x 2349mm)		
PVCCM CUST.			
PVCCM CUST.			

Dome Colors Available			
Dome Color	Colour Code	Dome Color	Colour Code
Clear	- C	White	- W
Bronze	- B	Grey	- G





Skylights conform to and exceed test requirements of CAN/CGSB-63.14M89, "Plastic Skylights", Class A, Type 2 or Type 3.

Skylights are suitable for use on all types of slope roofs. Designed for mounting on 1½" (38mm) or 4" (102mm) curbs with flashing (by others), these units provide excellent performance in all geographic locations.

- Flashing kits available for asphalt shingle roofs
- Custom sizes are available upon request

Specifications:

Skylight shall be factory assembled Model No. _____ V-PVCCM as manufactured by Artistic Skylight Domes Ltd. Vaughan, Ontario. Glazing shall consist of, sealed double acrylic domes (or sealed triple domes) of clear, white, bronze, or grey. The skylight incorporates a heavy-duty corrosion resistant chain drive operating mechanism, pin pivot hinge system and removable insect screen. The skylight shall consist of rigid high-impact extruded vinyl curb frame (superior in thermal conductivity to aluminum) which incorporates a high capacity, 10 degree sloped condensation gutter with drainage to exterior, co-extruded rubber draft seal and a white baked enamel extruded aluminum sash frame, alloy 6063-T5. The retaining cap frame shall be extruded, mill finish (optional baked enamel), 6063-T5 aluminum alloy with heliarc welded corners. An optional telescoping pole-hook or electric motorized system are available.

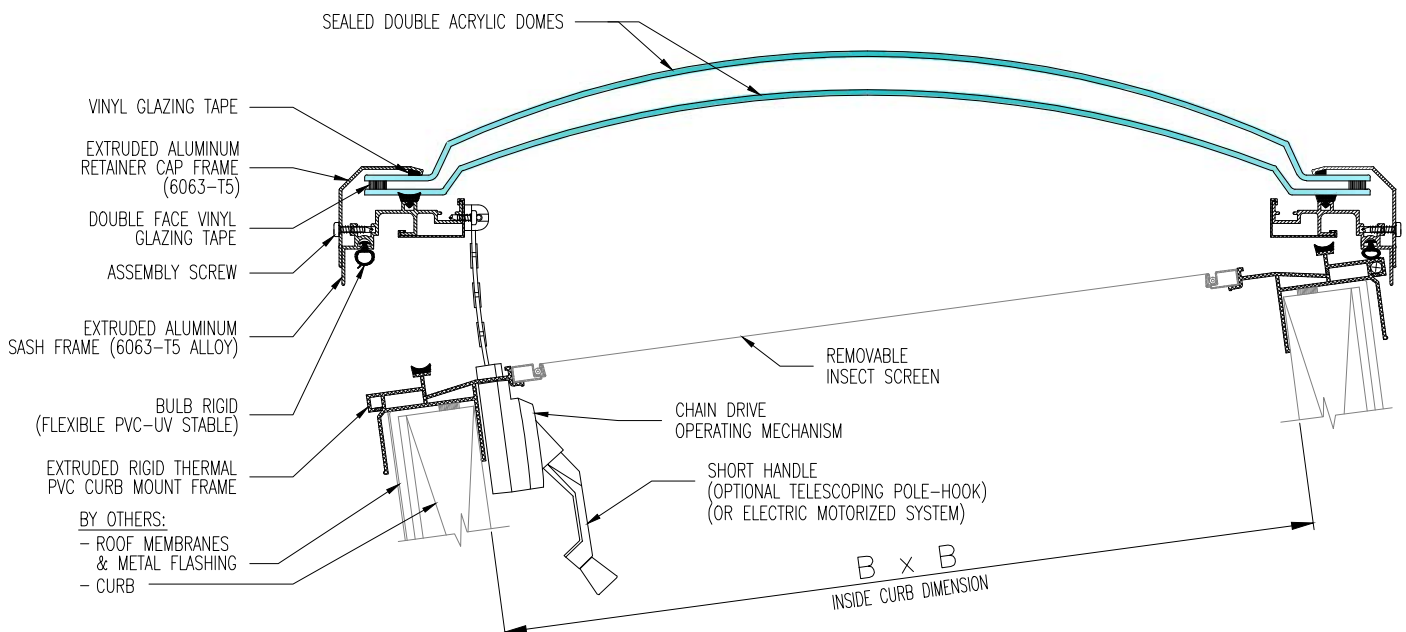
Model V-PVCCM Available Sizes

Model #	B x B Dimensions	Dome Color	Flashing Kit y/n	QTY
V-PVCCM 2828	22¼" x 22¼" (565mm x 565mm)			
V-PVCCM 2836	22¼" x 30¼" (565mm x 768mm)			
V-PVCCM 2852	22¼" x 46¼" (565mm x 1175mm)			
V-PVCCM 2860	22¼" x 55" (565mm x 1397mm)			
V-PVCCM 2876	22¼" x 69½" (565mm x 1765mm)			
V-PVCCM 3636	30¼" x 30¼" (768mm x 768mm)			
V-PVCCM 3642	30¼" x 37" (768mm x 940mm)			
V-PVCCM 3652	30¼" x 46¼" (768mm x 1175mm)			
V-PVCCM 3660	30¼" x 55" (768mm x 1397mm)			
V-PVCCM 4242	37" x 37" (940mm x 940mm)			
V-PVCCM 4252	37" x 46¼" (940mm x 1175mm)			
V-PVCCM 5252	46¼" x 46¼" (1175mm x 1175mm)			
V-PVCCM CUST.				
V-PVCCM CUST.				

Dome Colors Available

Dome Color	Colour Code	Dome Color	Colour Code
Clear	- C	White	- W
Bronze	- B	Grey	- G

Project:	Architect:
Contractor:	Approved By:
	Date:





Skylights conform to and exceed test requirements of CAN/CGSB-63.14M89, "Plastic Skylights", Class D, Type 2 or Type 3.

Skylights are suitable for use on all type of flat roofs. Designed for mounting on 1½" (38mm) or 4" (102mm) curbs with flashing (by others), these units provide excellent performance in all geographic locations.

- Custom sizes are available upon request

Specifications:

Skylight shall be factory assembled Model No. _____ T-PVCCM as manufactured by Artistic Skylight Domes Ltd. Vaughan, Ontario. Glazing shall consist of, sealed triple acrylic domes of clear, white, bronze, or grey. The skylight shall consist of rigid high-impact extruded vinyl curb frame (superior in thermal conductivity to aluminum) which incorporates a high capacity, 10 degree sloped condensation gutter with drainage to exterior, co-extruded rubber draft seal. The retaining cap frame shall be extruded, mill finish (optional baked enamel), 6063-T5 aluminum alloy with heliarc welded corners.

Model T-PVCCM Available Sizes			
Model #	B x B Dimensions		Dome Color
T-PVCCM 2020	14¼" x 14¼"	(362mm x 362mm)	
T-PVCCM 2052	14¼" x 46¼"	(362mm x 1175mm)	
T-PVCCM 2828	22¼" x 22¼"	(565mm x 565mm)	
T-PVCCM 2836	22¼" x 30¼"	(565mm x 768mm)	
T-PVCCM 2852	22¼" x 46¼"	(565mm x 1175mm)	
T-PVCCM 2860	22¼" x 55"	(565mm x 1397mm)	
T-PVCCM 2876	22¼" x 69½"	(565mm x 1765mm)	
T-PVCCM 2896	22¼" x 89½"	(565mm x 2273mm)	
T-PVCCM 3636	30¼" x 30¼"	(768mm x 768mm)	
T-PVCCM 3642	30¼" x 37"	(768mm x 940mm)	
T-PVCCM 3652	30¼" x 46¼"	(768mm x 1175mm)	
T-PVCCM 3660	30¼" x 55"	(768mm x 1397mm)	
T-PVCCM 3676	30¼" x 69½"	(768mm x 1765mm)	
T-PVCCM 3696	30¼" x 89½"	(768mm x 2273mm)	
T-PVCCM 4242	37" x 37"	(940mm x 940mm)	
T-PVCCM 4252	37" x 46¼"	(940mm x 1175mm)	
T-PVCCM 4280	37" x 75"	(940mm x 1905mm)	
T-PVCCM 5252	46¼" x 46¼"	(1175mm x 1175mm)	
T-PVCCM 5260	46¼" x 55"	(1175mm x 1397mm)	
T-PVCCM 5276	46¼" x 69½"	(1175mm x 1765mm)	
T-PVCCM 5280	46¼" x 75"	(1175mm x 1905mm)	
T-PVCCM 5296	46¼" x 89½"	(1175mm x 2273mm)	
T-PVCCM 6060	55" x 55"	(1397mm x 1397mm)	
T-PVCCM 6076	55" x 69½"	(1397mm x 1765mm)	
T-PVCCM 6096	55" x 89½"	(1397mm x 2273mm)	
T-PVCCM 7272	67" x 67"	(1702mm x 1702mm)	
T-PVCCM 7296	67" x 89½"	(1702mm x 2273mm)	
T-PVCCM CUST.			
T-PVCCM CUST.			

Project: _____

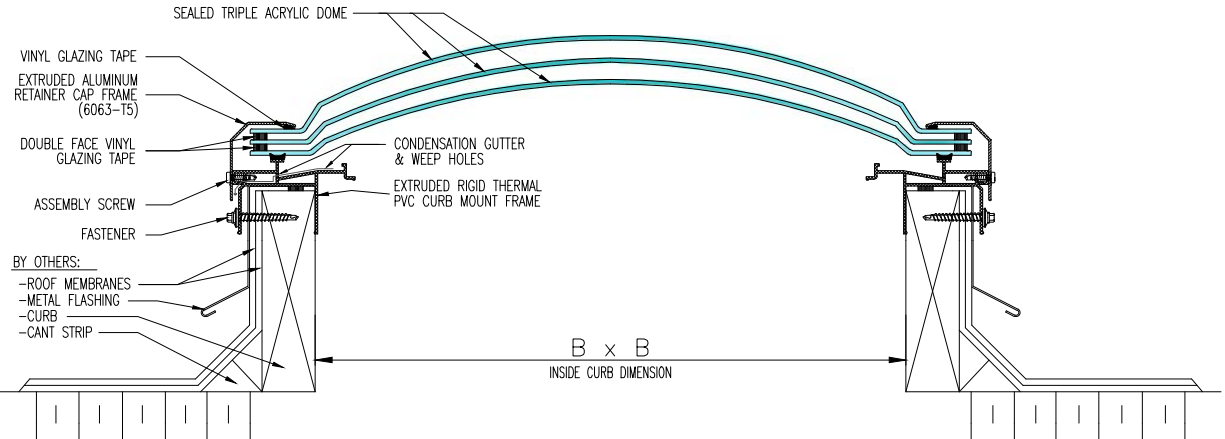
Contractor: _____

Architect: _____

Approved By: _____

Date: _____

Dome Colors Available			
Dome Color	Colour Code	Dome Color	Colour Code
Clear	- C	White	- W
Bronze	- B	Grey	- G



2

UNIT SKYLIGHTS (SELF FLASHING)

- Fixed Glass
- Venting Glass
- Fixed Dome
- Venting Dome
- Durable Aluminum Base Frame
- Energy Efficient Triple Glazed Dome

Insulating glazing units conform to and exceed test requirements of CAN/CGSB-12.8-M90 and IGMAC certification program.

Skylights designed to be installed on shingled roofs with minimum 3:12 pitch. These skylight mount directly over roof opening and require no curbs or metal flashings.

- Underlayment required for proper installation
- Custom sizes are available upon request



Specifications:

Skylight shall be factory assembled Model No. _____ G-PVCSR as Manufactured by Artistic Skylight Domes Ltd., Vaughan, Ontario. Glazing shall consist of, sealed dual tempered glass of clear low-E over clear. The skylight shall consist of rigid high-impact extruded vinyl base (superior in thermal conductivity to aluminum) which incorporates a high capacity, 18 degree sloped condensation gutter with drainage to exterior, co-extruded rubber draft seal, and 3" (76mm) mounting flange. The retaining cap frame shall be extruded, mill finish (optional baked enamel), 6063-T5 aluminum alloy with heliarc welded corners.

Project:

Contractor:

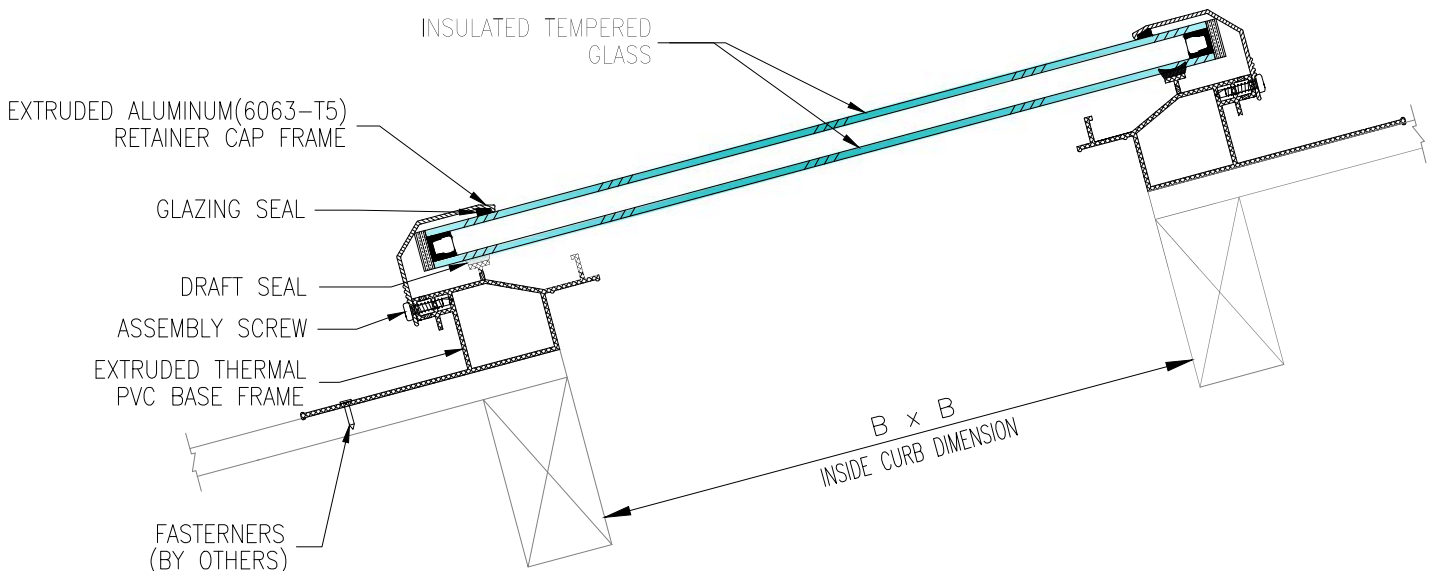
Architect:

Approved By:

Date:

Model G-PVCSR Available Sizes				
Model #	B x B Dimensions		Glass Glazing Type	QTY
G-PVCSR 2020	14 1/4" x 14 1/4"	(362mm x 362mm)		
G-PVCSR 2052	14 1/4" x 46 1/4"	(362mm x 1175mm)		
G-PVCSR 2828	22 1/4" x 22 1/4"	(565mm x 565mm)		
G-PVCSR 2836	22 1/4" x 30 1/4"	(565mm x 768mm)		
G-PVCSR 2852	22 1/4" x 46 1/4"	(565mm x 1175mm)		
G-PVCSR 2860	22 1/4" x 55"	(565mm x 1397mm)		
G-PVCSR 2876	22 1/4" x 69 1/4"	(565mm x 1765mm)		
G-PVCSR 2896	22 1/4" x 89 1/4"	(565mm x 2273mm)		
G-PVCSR 3636	30 1/4" x 30 1/4"	(768mm x 768mm)		
G-PVCSR 3642	30 1/4" x 37"	(768mm x 940mm)		
G-PVCSR 3652	30 1/4" x 46 1/4"	(768mm x 1175mm)		
G-PVCSR 3660	30 1/4" x 55"	(768mm x 1397mm)		
G-PVCSR 3676	30 1/4" x 69 1/4"	(768mm x 1765mm)		
G-PVCSR 3696	30 1/4" x 89 1/4"	(768mm x 2273mm)		
G-PVCSR 4242	37" x 37"	(940mm x 940mm)		
G-PVCSR 4252	37" x 46 1/4"	(940mm x 1175mm)		
G-PVCSR 4280	37" x 75"	(940mm x 1905mm)		
G-PVCSR 5252	46 1/4" x 46 1/4"	(1175mm x 1175mm)		
G-PVCSR 5260	46 1/4" x 55"	(1175mm x 1397mm)		
G-PVCSR 5276	46 1/4" x 69 1/4"	(1175mm x 1765mm)		
G-PVCSR 6060	55" x 55"	(1397mm x 1397mm)		
G-PVCSR CUST.				
G-PVCSR CUST.				

Glass Glazing Available			
Glass Glazing	Colour Code	Glass Glazing	Colour Code
Clear/Low-E	- Low-E	Clear/Laminated	- Lami.
Bronze/Low-E	- B/Low-E	Argon/Low-E	- Low-E/Arg





Insulating glazing units conform to and exceed test requirements of CAN/CGSG-12.8-M90 and IGMAC certification program.

Skylights designed to be installed on shingled roofs with minimum 3:12 pitch. These skylights mount directly over roof opening and require no curbs or metal flashings.

- Underlayment required for proper installation.
- Custom sizes are available upon request

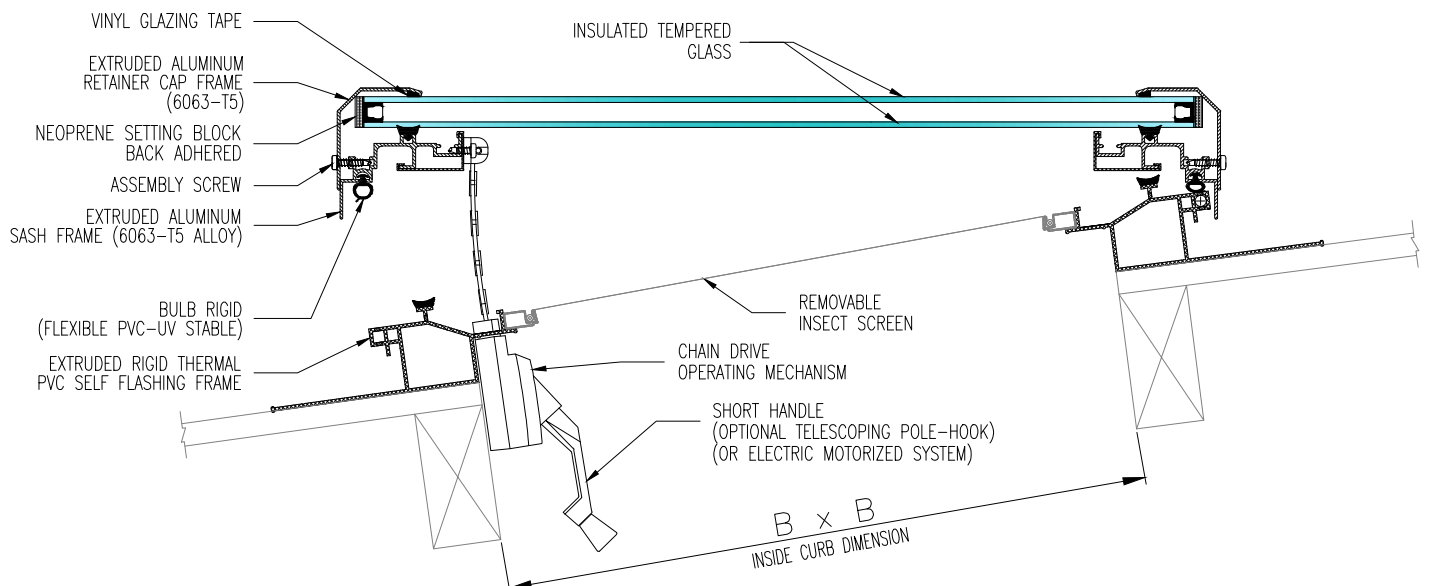
Specifications:

Skylight shall be factory assembled Model No. _____ GV-PVCSR as Manufactured by Artistic Skylight Domes Ltd., Vaughan, Ontario. Glazing shall consist of, sealed dual tempered glass of clear low-E over clear. The skylight incorporates a heavy duty corrosion resistant chain drive operating mechanism, pin pivot hinge system and removable insect screen. The skylight shall consist of rigid high-impact extruded vinyl base (superior in thermal conductivity to aluminum) which incorporates a high capacity, 18 degree sloped condensation gutter with drainage to exterior, co-extruded rubber draft seal, and 3" (76mm) mounting flange with a white baked enamel extruded aluminum sash frame, alloy 6063-T5. The retaining cap frame shall be extruded, mill finish (optional baked enamel), 6063-T5 aluminum alloy with heliarc welded corners. An optional telescoping pole-hook or electric motorized system are available.

Model GV-PVCSR Available Sizes			
Model #	B x B Dimensions	Glass Glazing Type	QTY
GV-PVCSR 2828	22¼" x 22¼" (565mm x 565mm)		
GV-PVCSR 2836	22¼" x 30¼" (565mm x 768mm)		
GV-PVCSR 2852	22¼" x 46¼" (565mm x 1175mm)		
GV-PVCSR 2860	22¼" x 55" (565mm x 1397mm)		
GV-PVCSR 2876	22¼" x 69½" (565mm x 1765mm)		
GV-PVCSR 3636	30¼" x 30¼" (768mm x 768mm)		
GV-PVCSR 3642	30¼" x 37" (768mm x 940mm)		
GV-PVCSR 3652	30¼" x 46¼" (768mm x 1175mm)		
GV-PVCSR 3660	30¼" x 55" (768mm x 1397mm)		
GV-PVCSR 4242	37" x 37" (940mm x 940mm)		
GV-PVCSR 4252	37" x 46¼" (940mm x 1175mm)		
GV-PVCSR 5252	46¼" x 46¼" (1175mm x 1175mm)		
GV-PVCSR CUST.			
GV-PVCSR CUST.			

Glass Glazing Available			
Glass Glazing	Colour Code	Glass Glazing	Colour Code
Clear/Low-E	- Low-E	Clear/Laminated	- Lami.
Bronze/Low-E	- B/Low-E	Argon/Low-E	- Low-E/Arg

Project:	Architect:
Contractor:	Approved By:
	Date:



Skylights conform to and exceed test requirements of CAN/CGSB-63.14M89, "Plastic Skylights", Class D, Type 2 or Type 3.

Skylights designed to be installed on shingled roofs with minimum 3:12 pitch. These skylight mount directly over roof opening and require no curbs or metal flashings.

- Underlayment required for proper installation
- Custom sizes are available upon request



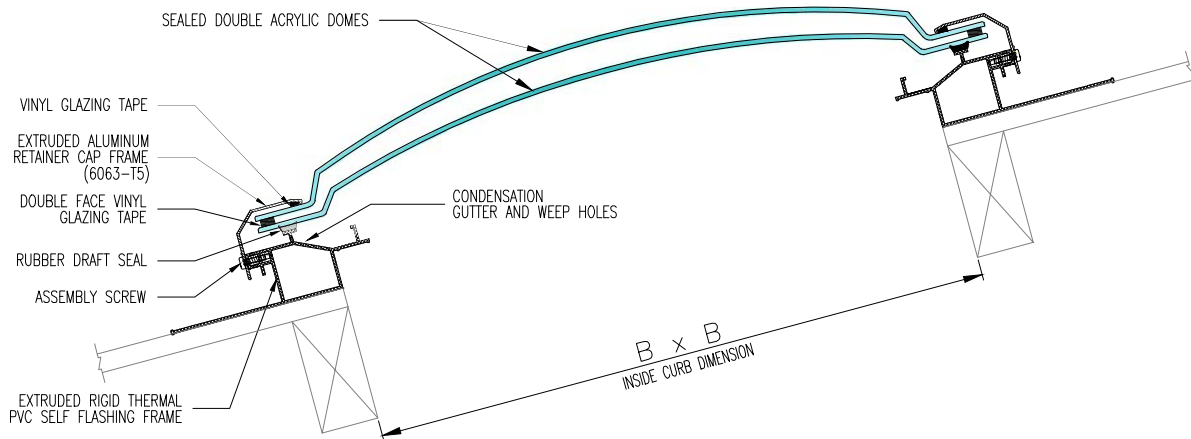
Specifications:

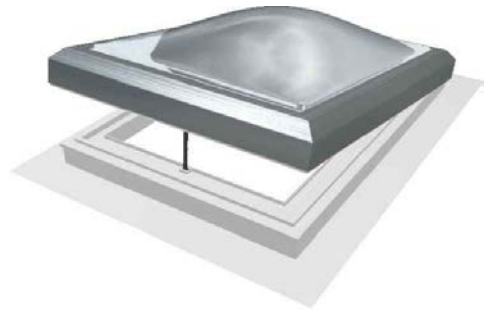
Skylight shall be factory assembled Model No. _____ PVCSR as Manufactured by Artistic Skylight Domes Ltd., Vaughan, Ontario. Glazing shall consist of, sealed double acrylic domes (or sealed triple domes) of clear, white, bronze, or grey. The skylight shall consist of rigid high-impact extruded vinyl base (superior in thermal conductivity to aluminum) which incorporates a high capacity, 18 degree sloped condensation gutter with drainage to exterior, co-extruded rubber draft seal, and 3" (76mm) mounting flange. The retaining cap frame shall be extruded, mill finish (optional baked enamel), 6063-T5 aluminum alloy with heliarc welded corners.

Project:
Contractor:
Architect:
Approved By:
Date:

Model PVCSR Available Sizes			
Model #	B x B Dimensions		Dome Color
PVCSR 2020	14 1/4" x 14 1/4"	(362mm x 362mm)	
PVCSR 2052	14 1/4" x 46 1/4"	(362mm x 1175mm)	
PVCSR 2828	22 1/4" x 22 1/4"	(565mm x 565mm)	
PVCSR 2836	22 1/4" x 30 1/4"	(565mm x 768mm)	
PVCSR 2852	22 1/4" x 46 1/4"	(565mm x 1175mm)	
PVCSR 2860	22 1/4" x 55"	(565mm x 1397mm)	
PVCSR 2876	22 1/4" x 69 1/2"	(565mm x 1765mm)	
PVCSR 2896	22 1/4" x 89 1/2"	(565mm x 2273mm)	
PVCSR 3636	30 1/4" x 30 1/4"	(768mm x 768mm)	
PVCSR 3642	30 1/4" x 37"	(768mm x 940mm)	
PVCSR 3652	30 1/4" x 46 1/4"	(768mm x 1175mm)	
PVCSR 3660	30 1/4" x 55"	(768mm x 1397mm)	
PVCSR 3676	30 1/4" x 69 1/2"	(768mm x 1765mm)	
PVCSR 3696	30 1/4" x 89 1/2"	(768mm x 2273mm)	
PVCSR 4242	37" x 37"	(940mm x 940mm)	
PVCSR 4252	37" x 46 1/4"	(940mm x 1175mm)	
PVCSR 4280	37" x 75"	(940mm x 1905mm)	
PVCSR 5252	46 1/4" x 46 1/4"	(1175mm x 1175mm)	
PVCSR 5260	46 1/4" x 55"	(1175mm x 1397mm)	
PVCSR 5276	46 1/4" x 69 1/2"	(1175mm x 1765mm)	
PVCSR 5280	46 1/4" x 75"	(1175mm x 1905mm)	
PVCSR 5296	46 1/4" x 89 1/2"	(1175mm x 2273mm)	
PVCSR 6060	55" x 55"	(1397mm x 1397mm)	
PVCSR 6076	55" x 69 1/2"	(1397mm x 1765mm)	
PVCSR 6096	55" x 89 1/2"	(1397mm x 2273mm)	
PVCSR 7272	67" x 67"	(1702mm x 1702mm)	
PVCSR 7296	67" x 89 1/2"	(1702mm x 2273mm)	
PVCSR CUST.			
PVCSR CUST.			

Dome Colors Available			
Dome Color	Colour Code	Dome Color	Colour Code
Clear	- C	White	- W
Bronze	- B	Grey	- G





Skylights conform to and exceed test requirements of CAN/CGSB-63.14M89, "Plastic Skylights", Class D, Type 2 or Type 3.

Skylights designed to be installed on shingled roofs with minimum 3:12 pitch. These skylights mount directly over roof opening and require no curbs or metal flashings.

- Underlayment required for proper installation.
- Custom sizes are available upon request

Specifications:

Skylight shall be factory assembled Model No. _____ V-PVCSR as Manufactured by Artistic Skylight Domes Ltd., Vaughan, Ontario. Glazing shall consist of, sealed double acrylic domes (or sealed triple domes) of clear, white, bronze, or grey. The skylight incorporates a heavy duty corrosion resistant chain drive operating mechanism, pin pivot hinge system and removable insect screen. The skylight shall consist of rigid high-impact extruded vinyl base (superior in thermal conductivity to aluminum) which incorporates a high capacity, 18 degree sloped condensation gutter with drainage to exterior, co-extruded rubber draft seal, and 3" (76mm) mounting flange with a white baked enamel extruded aluminum sash frame, alloy 6063-T5. The retaining cap frame shall be extruded, mill finish (optional baked enamel), 6063-T5 aluminum alloy with heliarc welded corners. An optional telescoping pole-hook or electric motorized system are available.

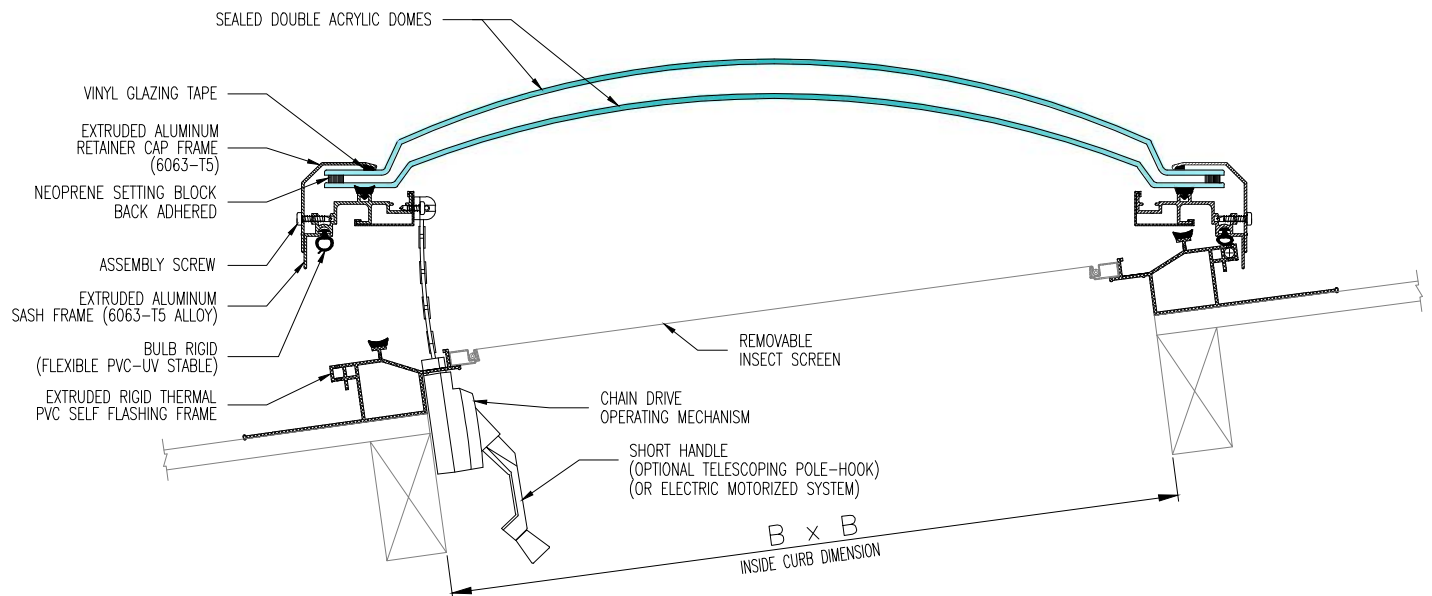
Model V-PVCSR Available Sizes

Model #	B x B Dimensions	Dome Color	QTY
V-PVCSR 2828	22 1/4" x 22 1/4" (565mm x 565mm)		
V-PVCSR 2836	22 1/4" x 30" (565mm x 768mm)		
V-PVCSR 2852	22 1/4" x 46" (565mm x 1175mm)		
V-PVCSR 2860	22 1/4" x 55" (565mm x 1397mm)		
V-PVCSR 2876	22 1/4" x 69" (565mm x 1765mm)		
V-PVCSR 3636	30 1/4" x 30 1/4" (768mm x 768mm)		
V-PVCSR 3642	30 1/4" x 37" (768mm x 940mm)		
V-PVCSR 3652	30 1/4" x 46" (768mm x 1175mm)		
V-PVCSR 3660	30 1/4" x 55" (768mm x 1397mm)		
V-PVCSR 4242	37" x 37" (940mm x 940mm)		
V-PVCSR 4252	37" x 46" (940mm x 1175mm)		
V-PVCSR 5252	46" x 46" (1175mm x 1175mm)		
V-PVCSR CUST.			
V-PVCSR CUST.			

Dome Colors Available

Dome Color	Colour Code	Dome Color	Colour Code
Clear	- C	White	- W
Bronze	- B	Grey	- G

Project:	Architect:
Contractor:	Approved By:
	Date:



Insulating glazing units conform to and exceed test requirements of CAN/CGSG-12.8-M90 and IGMAC certification program.

Skylights designed to be installed on shingled roofs with minimum 3:12 pitch. These skylight mount directly over roof opening and require no curbs or metal flashings.

- Underlayment required for proper installation
- Custom sizes are available upon request



Model G-SR Available Sizes

Model #	B x B Dimensions	Glass Glazing Type	QTY
G-SR 2020	14¼" x 14¼" (362mm x 362mm)		
G-SR 2052	14¼" x 46¼" (362mm x 1175mm)		
G-SR 2828	22¼" x 22¼" (565mm x 565mm)		
G-SR 2836	22¼" x 30¼" (565mm x 768mm)		
G-SR 2852	22¼" x 46¼" (565mm x 1175mm)		
G-SR 2860	22¼" x 55" (565mm x 1397mm)		
G-SR 2876	22¼" x 69½" (565mm x 1765mm)		
G-SR 2896	22¼" x 89½" (565mm x 2273mm)		
G-SR 3636	30¼" x 30¼" (768mm x 768mm)		
G-SR 3642	30¼" x 37" (768mm x 940mm)		
G-SR 3652	30¼" x 46¼" (768mm x 1175mm)		
G-SR 3660	30¼" x 55" (768mm x 1397mm)		
G-SR 3676	30¼" x 69½" (768mm x 1765mm)		
G-SR 3696	30¼" x 89½" (768mm x 2273mm)		
G-SR 4242	37" x 37" (940mm x 940mm)		
G-SR 4252	37" x 46¼" (940mm x 1175mm)		
G-SR 4280	37" x 75" (940mm x 1905mm)		
G-SR 5252	46¼" x 46¼" (1175mm x 1175mm)		
G-SR 5260	46¼" x 55" (1175mm x 1397mm)		
G-SR 5276	46¼" x 69½" (1175mm x 1765mm)		
G-SR CUST.			
G-SR CUST.			

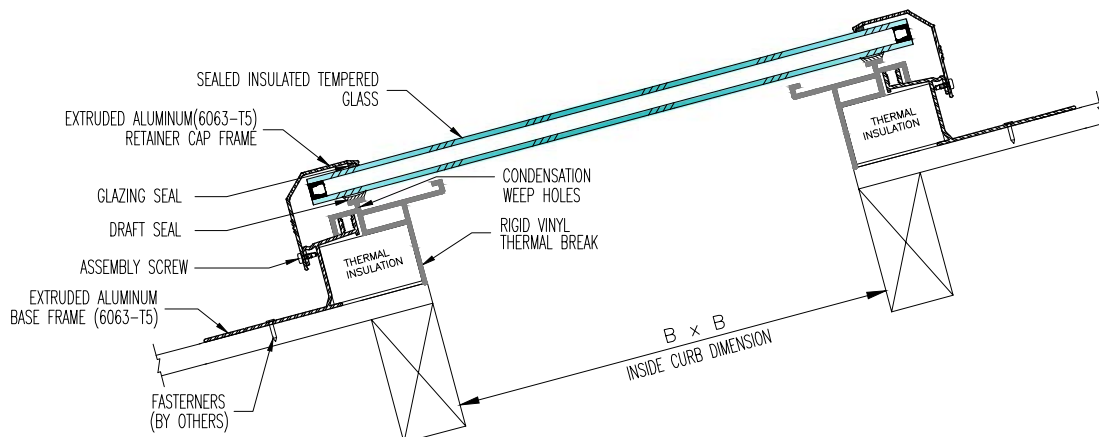
Specifications:

Skylight shall be factory assembled Model No. _____ G-SR as Manufactured by Artistic Skylight Domes Ltd., Vaughan, Ontario. Glazing shall consist of, sealed dual tempered glass of clear low-E over clear. The skylight shall consist of corrosion resistant extruded aluminum base frame, 6063-T5 alloy, and 3" aluminum mounting flange with heliarc welded corners. The skylight base frame shall have 2" thermal insulation and an extruded rigid vinyl thermal break (to prevent thermal transfer to interior of building) which incorporates a high capacity, 8 degree sloped condensation gutter with drainage to exterior, and co extruded rubber draft seal. Retaining cap frame shall be extruded, mill finish (optional baked enamel), 6063-T5 aluminum alloy with heliarc welded corners.

Glass Glazing Available

Glass Glazing	Colour Code	Glass Glazing	Colour Code
Clear/Low-E	- Low-E	Clear/Laminated	- Lami.
Bronze/Low-E	- B/Low-E	Argon/Low-E	- Low-E/Arg

Project:	Architect:
Contractor:	Approved By:
	Date:



Dome Self Flashing Skylight (for sloped roof)



Skylights conform to and exceed test requirements of CAN/CGSB-63.14M89, "Plastic Skylights", Class D, Type 2 or Type 3.

Skylights designed to be installed on shingled roofs with minimum 3:12 pitch. These skylight mount directly over roof opening and require no curbs or metal flashings.

- Underlayment required for proper installation
- Custom sizes are available upon request

Specifications:

Skylight shall be factory assembled Model No. _____ SR as Manufactured by Artistic Skylight Domes Ltd., Vaughan, Ontario. Glazing shall consist of, sealed double acrylic domes (or sealed triple domes) of clear, white, bronze, or grey. The skylight shall consist of corrosion resistant extruded aluminum base frame, 6063-T5 alloy, and 3" aluminum mounting flange with heliarc welded corners. The skylight base frame shall have 2" thermal insulation and an extruded rigid vinyl thermal break (to prevent thermal transfer to interior of building) which incorporates a high capacity, 8 degree sloped condensation gutter with drainage to exterior, and co extruded rubber draft seal. Retaining cap frame shall be extruded, mill finish (optional baked enamel), 6063-T5 aluminum alloy with heliarc welded corners.

Project:

Contractor:

Architect:

Approved By:

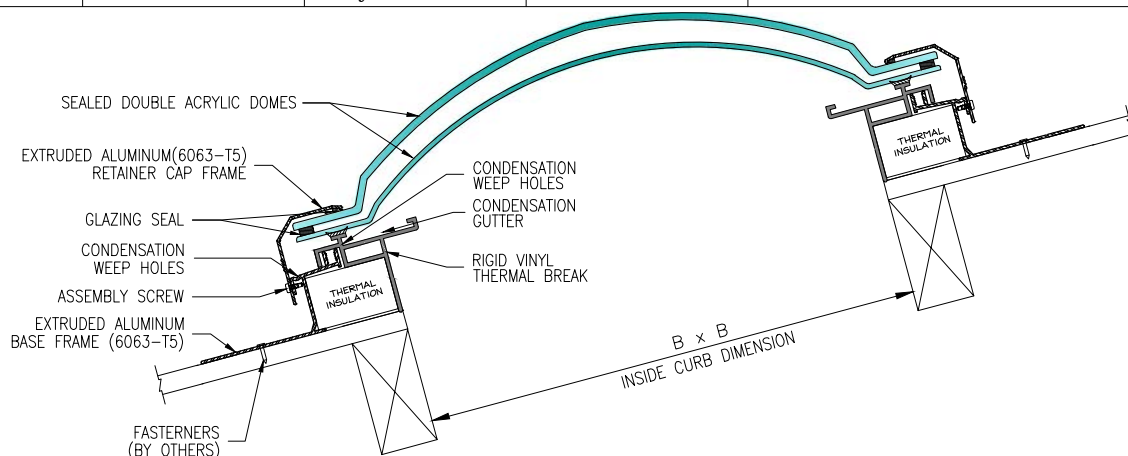
Date:

Model SR Available Sizes

Model #	B x B Dimensions	Dome Color	QTY
SR 2020	14 1/4" x 14 1/4" (362mm x 362mm)		
SR 2052	14 1/4" x 46 1/4" (362mm x 1175mm)		
SR 2828	22 1/4" x 22 1/4" (565mm x 565mm)		
SR 2836	22 1/4" x 30 1/4" (565mm x 768mm)		
SR 2852	22 1/4" x 46 1/4" (565mm x 1175mm)		
SR 2860	22 1/4" x 55" (565mm x 1397mm)		
SR 2876	22 1/4" x 69 1/4" (565mm x 1765mm)		
SR 2896	22 1/4" x 89 1/4" (565mm x 2273mm)		
SR 3636	30 1/4" x 30 1/4" (768mm x 768mm)		
SR 3642	30 1/4" x 37" (768mm x 940mm)		
SR 3652	30 1/4" x 46 1/4" (768mm x 1175mm)		
SR 3660	30 1/4" x 55" (768mm x 1397mm)		
SR 3676	30 1/4" x 69 1/4" (768mm x 1765mm)		
SR 3696	30 1/4" x 89 1/4" (768mm x 2273mm)		
SR 4242	37" x 37" (940mm x 940mm)		
SR 4252	37" x 46 1/4" (940mm x 1175mm)		
SR 4280	37" x 75" (940mm x 1905mm)		
SR 5252	46 1/4" x 46 1/4" (1175mm x 1175mm)		
SR 5260	46 1/4" x 55" (1175mm x 1397mm)		
SR 5276	46 1/4" x 69 1/4" (1175mm x 1765mm)		
SR 5280	46 1/4" x 75" (1175mm x 1905mm)		
SR 5296	46 1/4" x 89 1/4" (1175mm x 2273mm)		
SR 6060	55" x 55" (1397mm x 1397mm)		
SR 6076	55" x 69 1/4" (1397mm x 1765mm)		
SR 6096	55" x 89 1/4" (1397mm x 2273mm)		
SR 7272	67" x 67" (1702mm x 1702mm)		
SR 7296	67" x 89 1/4" (1702mm x 2273mm)		
SR CUST.			
SR CUST.			

Dome Colors Available

Dome Color	Colour Code	Dome Color	Colour Code
Clear	- C	White	- W
Bronze	- B	Grey	- G



Skylights conform to and exceed test requirements of CAN/CGSB-63.14M89, "Plastic Skylights", Class D, Type 2 or Type 3.

Skylights designed to be installed on shingled roofs with minimum 3:12 pitch. These skylight mount directly over roof opening and require no curbs or metal flashings.

- Underlayment required for proper installation
- Custom sizes are available upon request



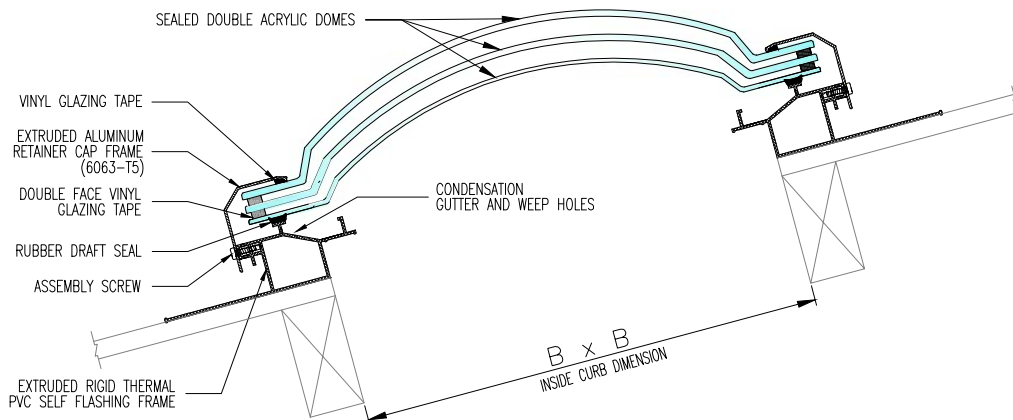
Specifications:

Skylight shall be factory assembled Model No. _____ T-PVCSR as Manufactured by Artistic Skylight Domes Ltd., Vaughan, Ontario. Glazing shall consist of, sealed triple acrylic domes of clear, white, bronze, or grey. The skylight shall consist of rigid high-impact extruded vinyl base (superior in thermal conductivity to aluminum) which incorporates a high capacity, 18 degree sloped condensation gutter with drainage to exterior, co-extruded rubber draft seal, and 3" (76mm) mounting flange. The retaining cap frame shall be extruded, mill finish (optional baked enamel), 6063-T5 aluminum alloy with heliarc welded corners.

Model T-PVCSR Available Sizes			
Model #	B x B Dimensions		Dome Color
T-PVCSR 2020	14 1/4" x 14 1/4"	(362mm x 362mm)	
T-PVCSR 2052	14 1/4" x 46 1/4"	(362mm x 1175mm)	
T-PVCSR 2828	22 1/4" x 22 1/4"	(565mm x 565mm)	
T-PVCSR 2836	22 1/4" x 30 1/4"	(565mm x 768mm)	
T-PVCSR 2852	22 1/4" x 46 1/4"	(565mm x 1175mm)	
T-PVCSR 2860	22 1/4" x 55"	(565mm x 1397mm)	
T-PVCSR 2876	22 1/4" x 69 1/2"	(565mm x 1765mm)	
T-PVCSR 2896	22 1/4" x 89 1/2"	(565mm x 2273mm)	
T-PVCSR 3636	30 1/4" x 30 1/4"	(768mm x 768mm)	
T-PVCSR 3642	30 1/4" x 37"	(768mm x 940mm)	
T-PVCSR 3652	30 1/4" x 46 1/4"	(768mm x 1175mm)	
T-PVCSR 3660	30 1/4" x 55"	(768mm x 1397mm)	
T-PVCSR 3676	30 1/4" x 69 1/2"	(768mm x 1765mm)	
T-PVCSR 3696	30 1/4" x 89 1/2"	(768mm x 2273mm)	
T-PVCSR 4242	37" x 37"	(940mm x 940mm)	
T-PVCSR 4252	37" x 46 1/4"	(940mm x 1175mm)	
T-PVCSR 4280	37" x 75"	(940mm x 1905mm)	
T-PVCSR 5252	46 1/4" x 46 1/4"	(1175mm x 1175mm)	
T-PVCSR 5260	46 1/4" x 55"	(1175mm x 1397mm)	
T-PVCSR 5276	46 1/4" x 69 1/2"	(1175mm x 1765mm)	
T-PVCSR 5280	46 1/4" x 75"	(1175mm x 1905mm)	
T-PVCSR 5296	46 1/4" x 89 1/2"	(1175mm x 2273mm)	
T-PVCSR 6060	55" x 55"	(1397mm x 1397mm)	
T-PVCSR 6076	55" x 69 1/2"	(1397mm x 1765mm)	
T-PVCSR 6096	55" x 89 1/2"	(1397mm x 2273mm)	
T-PVCSR 7272	67" x 67"	(1702mm x 1702mm)	
T-PVCSR 7296	67" x 89 1/2"	(1702mm x 2273mm)	
T-PVCSR CUST.			
T-PVCSR CUST.			

Project:
Contractor:
Architect:
Approved By:
Date:

Dome Colors Available			
Dome Color	Colour Code	Dome Color	Colour Code
Clear	- C	White	- W
Bronze	- B	Grey	- G



Skylights conform to and exceed test requirements of CAN/CGSB-63.14M89, "Plastic Skylights", Class D, Type 2 or Type 3.

Skylights designed to be installed on shingled roofs with minimum 3:12 pitch. These skylight mount directly over roof opening and require no curbs or metal flashings.

- Underlayment required for proper installation
- Custom sizes are available upon request



Specifications:

Skylight shall be factory assembled Model No. _____ T-SR as Manufactured by Artistic Skylight Domes Ltd., Vaughan, Ontario. Glazing shall consist of, sealed triple acrylic domes of clear, white, bronze, or grey. The skylight shall consist of corrosion resistant extruded aluminum base frame, 6063-T5 alloy, and 3" aluminum mounting flange with heliarc welded corners. The skylight base frame shall have 2" thermal insulation and an extruded rigid vinyl thermal break (to prevent thermal transfer to interior of building) which incorporates a high capacity, 8 degree sloped condensation gutter with drainage to exterior, and co extruded rubber draft seal. Retaining cap frame shall be extruded, mill finish (optional baked enamel), 6063-T5 aluminum alloy with heliarc welded corners.

Project:

Contractor:

Architect:

Approved By:

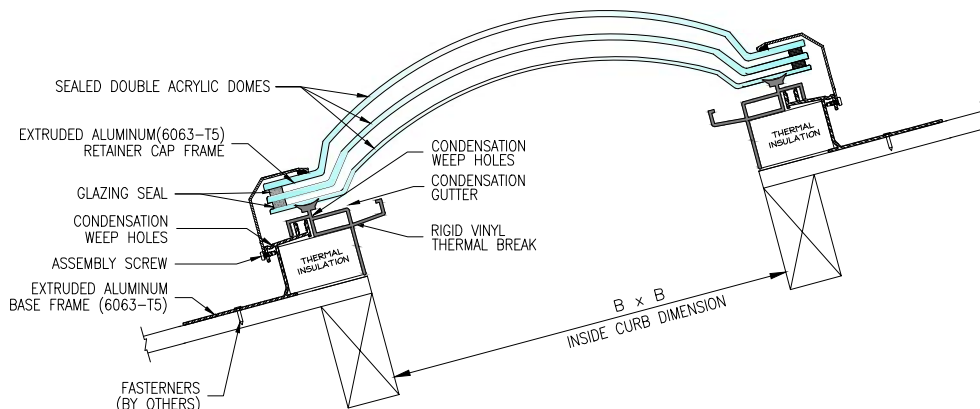
Date:

Model T-SR Available Sizes

Model #	B x B Dimensions	Dome Color	QTY
T-SR 2020	14 1/4" x 14 1/4" (362mm x 362mm)		
T-SR 2052	14 1/4" x 46 1/4" (362mm x 1175mm)		
T-SR 2828	22 1/4" x 22 1/4" (565mm x 565mm)		
T-SR 2836	22 1/4" x 30 1/4" (565mm x 768mm)		
T-SR 2852	22 1/4" x 46 1/4" (565mm x 1175mm)		
T-SR 2860	22 1/4" x 55" (565mm x 1397mm)		
T-SR 2876	22 1/4" x 69 1/4" (565mm x 1765mm)		
T-SR 2896	22 1/4" x 89 1/4" (565mm x 2273mm)		
T-SR 3636	30 1/4" x 30 1/4" (768mm x 768mm)		
T-SR 3642	30 1/4" x 37" (768mm x 940mm)		
T-SR 3652	30 1/4" x 46 1/4" (768mm x 1175mm)		
T-SR 3660	30 1/4" x 55" (768mm x 1397mm)		
T-SR 3676	30 1/4" x 69 1/4" (768mm x 1765mm)		
T-SR 3696	30 1/4" x 89 1/4" (768mm x 2273mm)		
T-SR 4242	37" x 37" (940mm x 940mm)		
T-SR 4252	37" x 46 1/4" (940mm x 1175mm)		
T-SR 4280	37" x 75" (940mm x 1905mm)		
T-SR 5252	46 1/4" x 46 1/4" (1175mm x 1175mm)		
T-SR 5260	46 1/4" x 55" (1175mm x 1397mm)		
T-SR 5276	46 1/4" x 69 1/4" (1175mm x 1765mm)		
T-SR 5280	46 1/4" x 75" (1175mm x 1905mm)		
T-SR 5296	46 1/4" x 89 1/4" (1175mm x 2273mm)		
T-SR 6060	55" x 55" (1397mm x 1397mm)		
T-SR 6076	55" x 69 1/4" (1397mm x 1765mm)		
T-SR 6096	55" x 89 1/4" (1397mm x 2273mm)		
T-SR 7272	67" x 67" (1702mm x 1702mm)		
T-SR 7296	67" x 89 1/4" (1702mm x 2273mm)		
T-SR CUST.			
T-SR CUST.			

Dome Colors Available

Dome Color	Colour Code	Dome Color	Colour Code
Clear	- C	White	- W
Bronze	- B	Grey	- G



3

**COMMERCIAL PRE-FABRICATED
INSULATED CURB SKYLIGHTS**

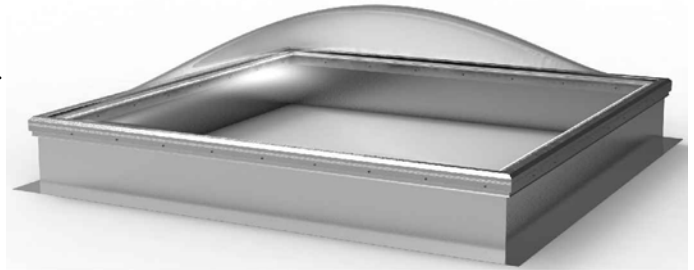
- Thermal Curb Frame
- Durable Aluminum Curb Frame
- Energy Efficient Triple Glazed Dome

Insulated Curb Skylight (for flat roofs)

Skylights conform to and exceed test requirements of CAN/CGSB-63.14M89, "Plastic Skylights", Class A, Type 2 or Type 3.

Skylight designed to be installed on flat roofs. These skylights come complete with insulated aluminum curb and mount directly over roof opening.

- Custom sizes are available upon request



Model CL Available Sizes

Model #	B x B Dimensions	Dome Color	QTY
CL 2052	14 1/4" x 46 1/4" (362mm x 1175mm)		
CL 2828	22 1/4" x 22 1/4" (565mm x 565mm)		
CL 2836	22 1/4" x 30 1/2" (565mm x 768mm)		
CL 2852	22 1/4" x 46 1/4" (565mm x 1175mm)		
CL 2860	22 1/4" x 55" (565mm x 1397mm)		
CL 2876	22 1/4" x 69 1/2" (565mm x 1765mm)		
CL 2896	22 1/4" x 89 1/2" (565mm x 2273mm)		
CL 3636	30 1/4" x 30 1/4" (768mm x 768mm)		
CL 3642	30 1/4" x 37" (768mm x 940mm)		
CL 3652	30 1/4" x 46 1/4" (768mm x 1175mm)		
CL 3660	30 1/4" x 55" (768mm x 1397mm)		
CL 3676	30 1/4" x 69 1/2" (768mm x 1765mm)		
CL 3696	30 1/4" x 89 1/2" (768mm x 2273mm)		
CL 4242	37" x 37" (940mm x 940mm)		
CL 4252	37" x 46 1/4" (940mm x 1175mm)		
CL 4280	37" x 75" (940mm x 1905mm)		
CL 5252	46 1/4" x 46 1/4" (1175mm x 1175mm)		
CL 5260	46 1/4" x 55" (1175mm x 1397mm)		
CL 5276	46 1/4" x 69 1/2" (1175mm x 1765mm)		
CL 5280	46 1/4" x 75" (1175mm x 1905mm)		
CL 5296	46 1/4" x 89 1/2" (1175mm x 2273mm)		
CL 6060	55" x 55" (1397mm x 1397mm)		
CL 6076	55" x 69 1/2" (1397mm x 1765mm)		
CL 6096	55" x 89 1/2" (1397mm x 2273mm)		
CL 7272	67" x 67" (1702mm x 1702mm)		
CL 7296	67" x 89 1/2" (1702mm x 2273mm)		
CL 8080	75" x 75" (1905mm x 1905mm)		
CL 9696	89 1/2" x 89 1/2" (2273mm x 2273mm)		
CL CUST.			
CL CUST.			

Specifications:

Skylight shall be factory assembled Model No. _____ CL as manufactured by Artistic Skylight Domes Ltd. Vaughan, Ontario. Glazing shall consist of, sealed double acrylic domes (or sealed triple domes) of clear, white, bronze, or grey. The skylight shall consist of rigid high-impact extruded vinyl curb frame (superior in thermal conductivity to aluminum) which incorporates a high capacity, 10 degree sloped condensation gutter with drainage to exterior, co-extruded rubber draft seal. The retaining cap frame shall be extruded, mill finish (optional baked enamel), 6063-T5 aluminum alloy (0.063" thick), with heliarc welded corners. Curb shall be, 9" high (optional 12") mill finish aluminum, 2 piece construction of .050 outer wall and .050 inner wall, with 2" thick insulation and 3" aluminum mounting flange.

Project: _____

Contractor: _____

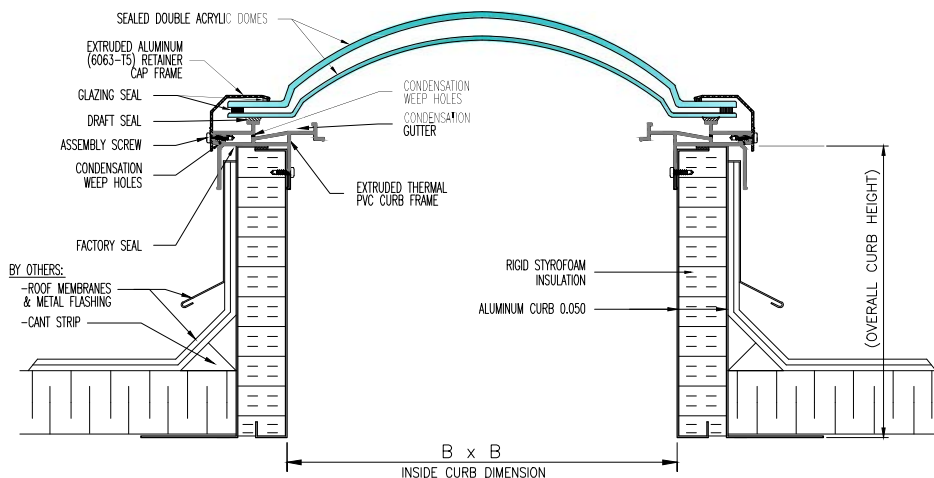
Architect: _____

Approved By: _____

Date: _____

Dome Colors Available

Dome Color	Colour Code	Dome Color	Colour Code
Clear	- C	White	- W
Bronze	- B	Grey	- G



Skylights conform to and exceed test requirements of CAN/CGSB-63.14M89, "Plastic Skylights", Class A, Type 2 or Type 3.

Skylight designed to be installed on flat roofs. These skylights come complete with insulated aluminum curb and mount directly over roof opening.

- Custom sizes are available upon request



Specifications:

Skylight shall be factory assembled Model No. _____ CL-FF as manufactured by Artistic Skylight Domes Ltd. Vaughan, Ontario. Glazing shall consist of, sealed double acrylic domes (or sealed triple domes) of clear, white, bronze, or grey. The skylight shall consist of corrosion resistant extruded aluminum curb frame, 6063-T5 alloy (0.063" thick), with heliarc welded corners. The skylight curb frame shall have an extruded rigid vinyl thermal break on interior (to prevent thermal transfer to interior of building) which incorporates a high capacity, 5 degree sloped condensation gutter with drainage to exterior, and co-extruded rubber draft seal. The retaining cap frame shall be extruded, mill finish (optional baked enamel), 6063-T5 aluminum alloy (0.063" thick), with heliarc welded corners. Curb shall be, 9" high (optional 12") mill finish aluminum, 2 piece construction of .050 outer wall and .050 inner wall, with 2" thick insulation and 3" aluminum mounting flange.

Project: _____

Contractor: _____

Architect: _____

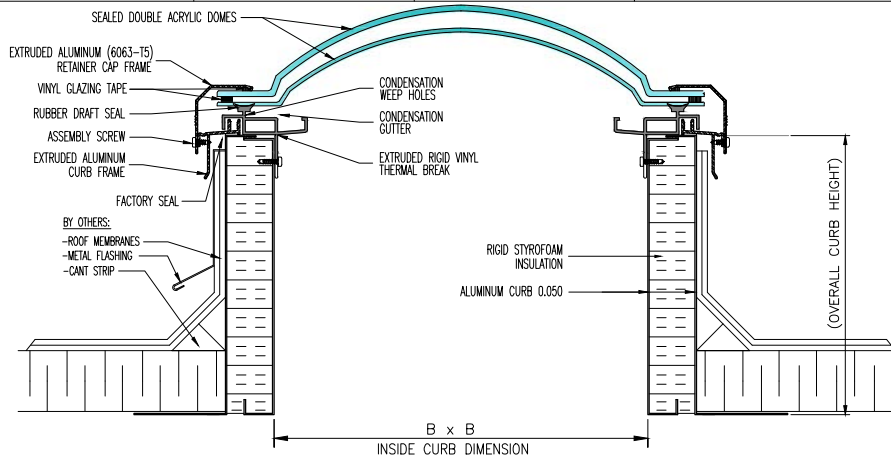
Approved By: _____

Date: _____

Model CL-FF Available Sizes			
Model #	B x B Dimensions	Dome Color	QTY
CL-FF 2052	14 1/4" x 46 1/4" (362mm x 1175mm)		
CL-FF 2828	22 1/4" x 22 1/4" (565mm x 565mm)		
CL-FF 2836	22 1/4" x 30 1/4" (565mm x 768mm)		
CL-FF 2852	22 1/4" x 46 1/4" (565mm x 1175mm)		
CL-FF 2860	22 1/4" x 55" (565mm x 1397mm)		
CL-FF 2876	22 1/4" x 69 1/2" (565mm x 1765mm)		
CL-FF 2896	22 1/4" x 89 1/2" (565mm x 2273mm)		
CL-FF 3636	30 1/4" x 30 1/4" (768mm x 768mm)		
CL-FF 3642	30 1/4" x 37" (768mm x 940mm)		
CL-FF 3652	30 1/4" x 46 1/4" (768mm x 1175mm)		
CL-FF 3660	30 1/4" x 55" (768mm x 1397mm)		
CL-FF 3676	30 1/4" x 69 1/2" (768mm x 1765mm)		
CL-FF 3696	30 1/4" x 89 1/2" (768mm x 2273mm)		
CL-FF 4242	37" x 37" (940mm x 940mm)		
CL-FF 4252	37" x 46 1/4" (940mm x 1175mm)		
CL-FF 4280	37" x 75" (940mm x 1905mm)		
CL-FF 5252	46 1/4" x 46 1/4" (1175mm x 1175mm)		
CL-FF 5260	46 1/4" x 55" (1175mm x 1397mm)		
CL-FF 5276	46 1/4" x 69 1/2" (1175mm x 1765mm)		
CL-FF 5280	46 1/4" x 75" (1175mm x 1905mm)		
CL-FF 5296	46 1/4" x 89 1/2" (1175mm x 2273mm)		
CL-FF 6060	55" x 55" (1397mm x 1397mm)		
CL-FF 6076	55" x 69 1/2" (1397mm x 1765mm)		
CL-FF 6096	55" x 89 1/2" (1397mm x 2273mm)		
CL-FF 7272	67" x 67" (1702mm x 1702mm)		
CL-FF 7296	67" x 89 1/2" (1702mm x 2273mm)		
CL-FF 8080	75" x 75" (1905mm x 1905mm)		
CL-FF 9696	89 1/2" x 89 1/2" (2273mm x 2273mm)		
CL-FF CUST.			
CL-FF CUST.			

Dome Colors Available

Dome Color	Colour Code	Dome Color	Colour Code
Clear	- C	White	- W
Bronze	- B	Grey	- G



Skylights conform to and exceed test requirements of CAN/CGSB-63.14M89, "Plastic Skylights", Class A, Type 2 or Type 3.

Skylight designed to be installed on flat roofs. These skylights come complete with insulated aluminum curb and mount directly over roof opening.

- Custom sizes are available upon request



Model T-CL Available Sizes

Model #	B x B Dimensions	Dome Color	QTY
T-CL 2052	14 1/4" x 46 3/4" (362mm x 1175mm)		
T-CL 2828	22 1/4" x 22 1/4" (565mm x 565mm)		
T-CL 2836	22 1/4" x 30 1/4" (565mm x 768mm)		
T-CL 2852	22 1/4" x 46 1/4" (565mm x 1175mm)		
T-CL 2860	22 1/4" x 55" (565mm x 1397mm)		
T-CL 2876	22 1/4" x 69 1/2" (565mm x 1765mm)		
T-CL 2896	22 1/4" x 89 1/2" (565mm x 2273mm)		
T-CL 3636	30 1/4" x 30 1/4" (768mm x 768mm)		
T-CL 3642	30 1/4" x 37" (768mm x 940mm)		
T-CL 3652	30 1/4" x 46 1/4" (768mm x 1175mm)		
T-CL 3660	30 1/4" x 55" (768mm x 1397mm)		
T-CL 3676	30 1/4" x 69 1/2" (768mm x 1765mm)		
T-CL 3696	30 1/4" x 89 1/2" (768mm x 2273mm)		
T-CL 4242	37" x 37" (940mm x 940mm)		
T-CL 4252	37" x 46 1/4" (940mm x 1175mm)		
T-CL 4280	37" x 75" (940mm x 1905mm)		
T-CL 5252	46 1/4" x 46 1/4" (1175mm x 1175mm)		
T-CL 5260	46 1/4" x 55" (1175mm x 1397mm)		
T-CL 5276	46 1/4" x 69 1/2" (1175mm x 1765mm)		
T-CL 5280	46 1/4" x 75" (1175mm x 1905mm)		
T-CL 5296	46 1/4" x 89 1/2" (1175mm x 2273mm)		
T-CL 6060	55" x 55" (1397mm x 1397mm)		
T-CL 6076	55" x 69 1/2" (1397mm x 1765mm)		
T-CL 6096	55" x 89 1/2" (1397mm x 2273mm)		
T-CL 7272	67" x 67" (1702mm x 1702mm)		
T-CL 7296	67" x 89 1/2" (1702mm x 2273mm)		
T-CL 8080	75" x 75" (1905mm x 1905mm)		
T-CL 9696	89 1/2" x 89 1/2" (2273mm x 2273mm)		
T-CL CUST.			
T-CL CUST.			

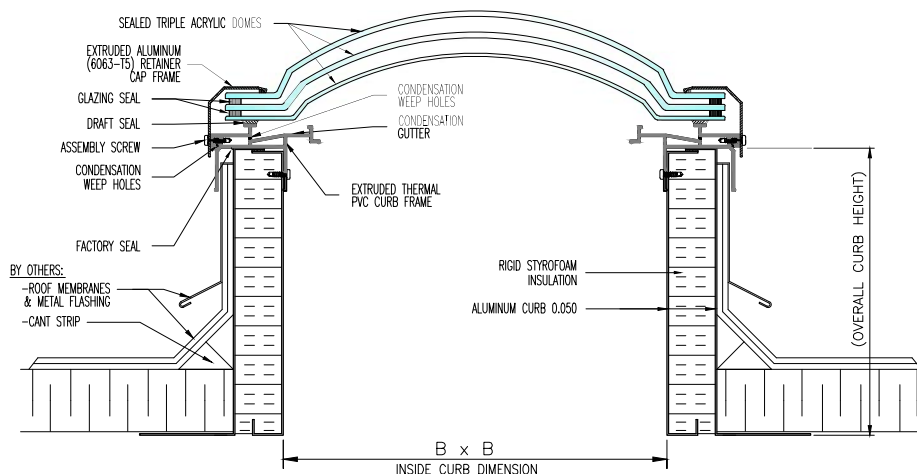
Specifications:

Skylight shall be factory assembled Model No. _____ T-CL as manufactured by Artistic Skylight Domes Ltd. Vaughan, Ontario. Glazing shall consist of, sealed triple acrylic domes of clear, white or bronze. The skylight shall consist of rigid high-impact extruded vinyl curb frame (superior in thermal conductivity to aluminum) which incorporates a high capacity, 10 degree sloped condensation gutter with drainage to exterior, co-extruded rubber draft seal. The retaining cap frame shall be extruded, mill finish (optional baked enamel), 6063-T5 aluminum alloy with heliarc welded corners. Curb shall be, 9" high (optional 12") mill finish aluminum, 2 piece construction, with 2" thick insulation and 3" aluminum mounting flange.

Project:
Contractor:
Architect:
Approved By:
Date:

Dome Colors Available

Dome Color	Colour Code	Dome Color	Colour Code
Clear	- C	White	- W
Bronze	- B	Grey	- G



4

COMMERCIAL UNIT SKYLIGHTS

- Fixed Glass
- Fixed Dome
- Energy Efficient Triple Glazed Dome
- Removable Skylight

Glass Curb Mount Skylight (flat roof detail)

Insulating glazing units conform to and exceed test requirements of CAN/CGSB-12.8-M90 and IGMAC certification program.

Skylights are suitable for use on all types of slope roofs with minimum slope requirement of 3:12. Designed for mounting on 1 1/2" (38mm) curbs with flashing (by others), these units provide excellent performance in all geographic locations.

- Flashing kits available for asphalt shingle roofs
- Custom sizes are available upon request



Model G-FF Available Sizes

Model #	B x B Dimensions	Glass Glazing Type	QTY
G-FF 2020	14 1/4" x 14 1/4" (362mm x 362mm)		
G-FF 2052	14 1/4" x 46 1/4" (362mm x 1175mm)		
G-FF 2828	22 1/4" x 22 1/4" (565mm x 565mm)		
G-FF 2836	22 1/4" x 30 1/4" (565mm x 768mm)		
G-FF 2852	22 1/4" x 46 1/4" (565mm x 1175mm)		
G-FF 2860	22 1/4" x 55" (565mm x 1397mm)		
G-FF 2876	22 1/4" x 69 1/2" (565mm x 1765mm)		
G-FF 2896	22 1/4" x 89 1/2" (565mm x 2273mm)		
G-FF 3636	30 1/4" x 30 1/4" (768mm x 768mm)		
G-FF 3642	30 1/4" x 37" (768mm x 940mm)		
G-FF 3652	30 1/4" x 46 1/4" (768mm x 1175mm)		
G-FF 3660	30 1/4" x 55" (768mm x 1397mm)		
G-FF 3676	30 1/4" x 69 1/2" (768mm x 1765mm)		
G-FF 3696	30 1/4" x 89 1/2" (768mm x 2273mm)		
G-FF 4242	37" x 37" (940mm x 940mm)		
G-FF 4252	37" x 46 1/4" (940mm x 1175mm)		
G-FF 4280	37" x 75" (940mm x 1905mm)		
G-FF 5252	46 1/4" x 46 1/4" (1175mm x 1175mm)		
G-FF 5260	46 1/4" x 55" (1175mm x 1397mm)		
G-FF 5276	46 1/4" x 69 1/2" (1175mm x 1765mm)		
G-FF CUST.			
G-FF CUST.			

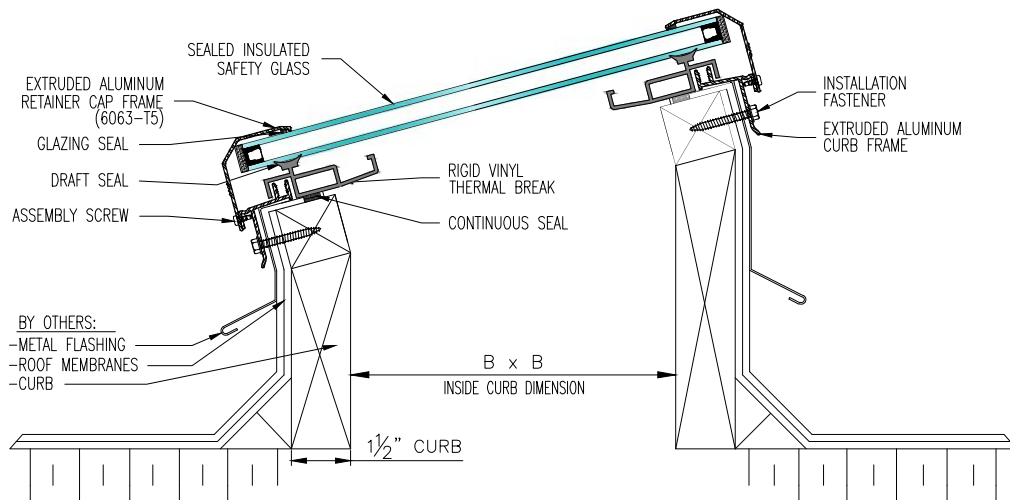
Specifications:

Skylight shall be factory assembled Model No. _____ G-FF as manufactured by Artistic Skylight Domes Ltd. Vaughan, Ontario. Glazing shall consist of, sealed dual tempered glass of clear low-E over clear. The skylight shall consist of corrosion resistant extruded aluminum curb frame, 6063-T5 alloy, with heliarc welded corners. The skylight curb frame shall have an extruded rigid vinyl thermal break (to prevent thermal transfer to interior of building) which incorporates a high capacity, 5 degree sloped condensation gutter with drainage to exterior, and co-extruded rubber draft seal. The retaining cap frame shall be extruded, mill finish (optional baked enamel), 6063-T5 aluminum alloy with heliarc welded corners.

Glass Glazing Available

Glass Glazing	Colour Code	Glass Glazing	Colour Code
Clear/Low-E	- Low-E	Clear/Laminated	- Lami.
Bronze/Low-E	- B/Low-E	Argon/Low-E	- Low-E/Arg

Project:	Architect:
Contractor:	Approved By:
	Date:



Insulating glazing units conform to and exceed test requirements of CAN/CGSB-12.8-M90 and IGMAC certification program.

Skylights are suitable for use on all types of slope roofs with minimum slope requirement of 3:12. Designed for mounting on 1 1/2" (38mm) curbs with flashing (by others), these units provide excellent performance in all geographic locations.

- Flashing kits available for asphalt shingle roofs
- Custom sizes are available upon request



Specifications:

Skylight shall be factory assembled Model No. _____ G-FF as manufactured by Artistic Skylight Domes Ltd. Vaughan, Ontario. Glazing shall consist of, sealed dual tempered glass of clear low-E over clear. The skylight shall consist of corrosion resistant extruded aluminum curb frame, 6063-T5 alloy, with heliarc welded corners. The skylight curb frame shall have an extruded rigid vinyl thermal break (to prevent thermal transfer to interior of building) which incorporates a high capacity, 5 degree sloped condensation gutter with drainage to exterior, and co-extruded rubber draft seal. The retaining cap frame shall be extruded, mill finish (optional baked enamel), 6063-T5 aluminum alloy with heliarc welded corners.

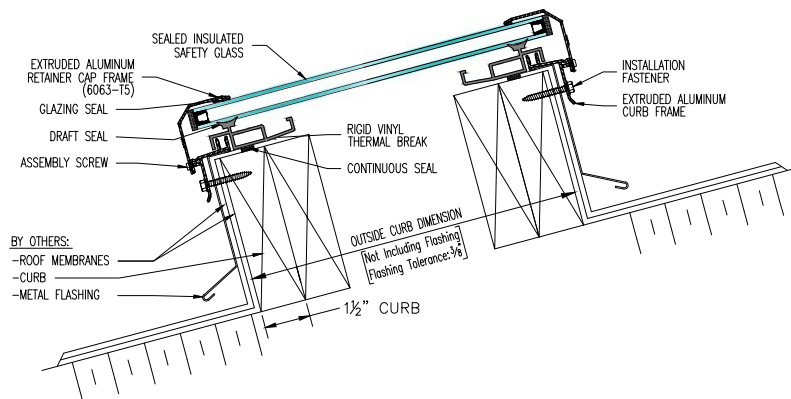
Project:
Contractor:
Architect:
Approved By:
Date:

Model G-FF Available Sizes

Model #	Outside Curb Dimensions	Dome Color	QTY
G-FF 2020	17 1/4" x 17 1/4" (435mm x 435mm)		
G-FF 2052	17 1/4" x 49 1/4" (435mm x 1251mm)		
G-FF 2828	25 1/4" x 25 1/4" (641mm x 641mm)		
G-FF 2836	25 1/4" x 33 1/2" (641mm x 845mm)		
G-FF 2852	25 1/4" x 49 1/4" (641mm x 1251mm)		
G-FF 2860	25 1/4" x 58" (641mm x 1473mm)		
G-FF 2876	25 1/4" x 72 1/2" (641mm x 1842mm)		
G-FF 2896	25 1/4" x 92 1/2" (641mm x 2349mm)		
G-FF 3636	33 1/4" x 33 1/4" (845mm x 845mm)		
G-FF 3642	33 1/4" x 40" (845mm x 1016mm)		
G-FF 3652	33 1/4" x 49 1/4" (845mm x 1251mm)		
G-FF 3660	33 1/4" x 58" (845mm x 1473mm)		
G-FF 3676	33 1/4" x 72 1/2" (845mm x 1842mm)		
G-FF 3696	33 1/4" x 92 1/2" (845mm x 2349mm)		
G-FF 4242	40" x 40" (1016mm x 1016mm)		
G-FF 4252	40" x 49 1/4" (1016mm x 1251mm)		
G-FF 4280	40" x 78" (1016mm x 1981mm)		
G-FF 5252	49 1/4" x 49 1/4" (1251mm x 1251mm)		
G-FF 5260	49 1/4" x 58" (1251mm x 1473mm)		
G-FF 5276	49 1/4" x 72 1/2" (1251mm x 1842mm)		
G-FF 5280	49 1/4" x 78" (1251mm x 1981mm)		
G-FF 5296	49 1/4" x 92 1/2" (1251mm x 2349mm)		
G-FF 6060	58" x 58" (1473mm x 1473mm)		
G-FF 6076	58" x 72 1/2" (1473mm x 1842mm)		
G-FF 6096	58" x 92 1/2" (1473mm x 2349mm)		
G-FF 7272	70" x 70" (1778mm x 1778mm)		
G-FF 7296	70" x 92 1/2" (1778mm x 2349mm)		
G-FF 8080	78" x 78" (1981mm x 1981mm)		
G-FF 9696	92 1/2" x 92 1/2" (2349mm x 2349mm)		
G-FF CUST.			
G-FF CUST.			

Dome Colors Available

Dome Color	Colour Code	Dome Color	Colour Code
Clear	- C	White	- W
Bronze	- B	Grey	- G



Skylights conform to and exceed test requirements of CAN/CGSB-63.14M89, "Plastic Skylights", Class A, Type 2 or Type 3.

Skylights are suitable for use on all type roofs. Designed for mounting on 1½" (38mm) or 4" (102mm) curbs with flashing (by others), these units provide excellent performance in all geographic locations.

- Custom sizes are available upon request



Model FF Available Sizes			
Model #	B x B Dimensions	Dome Color	QTY
FF 2020	14¼" x 14¼" (362mm x 362mm)		
FF 2052	14¼" x 46¼" (362mm x 1175mm)		
FF 2828	22¼" x 22¼" (565mm x 565mm)		
FF 2836	22¼" x 30¼" (565mm x 768mm)		
FF 2852	22¼" x 46¼" (565mm x 1175mm)		
FF 2860	22¼" x 55" (565mm x 1397mm)		
FF 2876	22¼" x 69½" (565mm x 1765mm)		
FF 2896	22¼" x 89½" (565mm x 2273mm)		
FF 3636	30¼" x 30¼" (768mm x 768mm)		
FF 3642	30¼" x 37" (768mm x 940mm)		
FF 3652	30¼" x 46¼" (768mm x 1175mm)		
FF 3660	30¼" x 55" (768mm x 1397mm)		
FF 3676	30¼" x 69½" (768mm x 1765mm)		
FF 3696	30¼" x 89½" (768mm x 2273mm)		
FF 4242	37" x 37" (940mm x 940mm)		
FF 4252	37" x 46¼" (940mm x 1175mm)		
FF 4280	37" x 75" (940mm x 1905mm)		
FF 5252	46¼" x 46¼" (1175mm x 1175mm)		
FF 5260	46¼" x 55" (1175mm x 1397mm)		
FF 5276	46¼" x 69½" (1175mm x 1765mm)		
FF 5280	46¼" x 75" (1175mm x 1905mm)		
FF 5296	46¼" x 89½" (1175mm x 2273mm)		
FF 6060	55" x 55" (1397mm x 1397mm)		
FF 6076	55" x 69½" (1397mm x 1765mm)		
FF 6096	55" x 89½" (1397mm x 2273mm)		
FF 7272	67" x 67" (1702mm x 1702mm)		
FF 7296	67" x 89½" (1702mm x 2273mm)		
FF 8080	75" x 75" (1905mm x 1905mm)		
FF 9696	89½" x 89½" (2273mm x 2273mm)		
FF CUST.			
FF CUST.			

Specifications:

Skylight shall be factory assembled Model No. _____ FF as manufactured by Artistic Skylight Domes Ltd. Vaughan, Ontario. Glazing shall consist of, sealed double acrylic domes (or sealed triple domes) of clear, white, bronze, or grey. The skylight shall consist of corrosion resistant extruded aluminum curb frame, 6063-T5 alloy, with heliarc welded corners. The skylight curb frame shall have an extruded rigid vinyl thermal break (to prevent thermal transfer to interior of building) which incorporates a high capacity, 5 degree sloped condensation gutter with drainage to exterior, and co-extruded rubber draft seal. The retaining cap frame shall be extruded, mill finish (optional baked enamel), 6063-T5 aluminum alloy with heliarc welded corners.

Project: _____

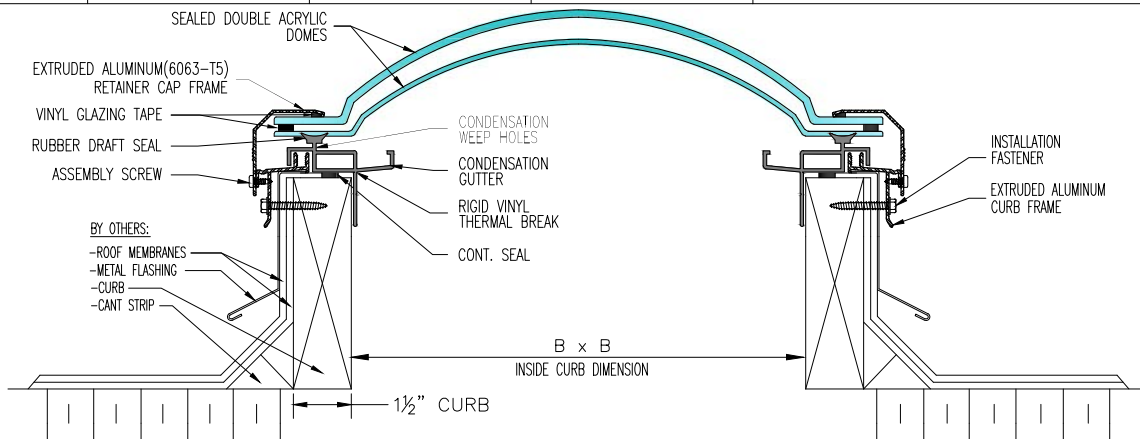
Contractor: _____

Architect: _____

Approved By: _____

Date: _____

Dome Colors Available			
Dome Color	Colour Code	Dome Color	Colour Code
Clear	- C	White	- W
Bronze	- B	Grey	- G



Skylights conform to and exceed test requirements of CAN/CGSB-63.14M89, "Plastic Skylights", Class A, Type 2 or Type 3.

Skylights are suitable for use on all type roofs. Designed for mounting on 1½" (38mm) curbs with flashing (by others), these units provide excellent performance in all geographic locations.

- Custom sizes are available upon request



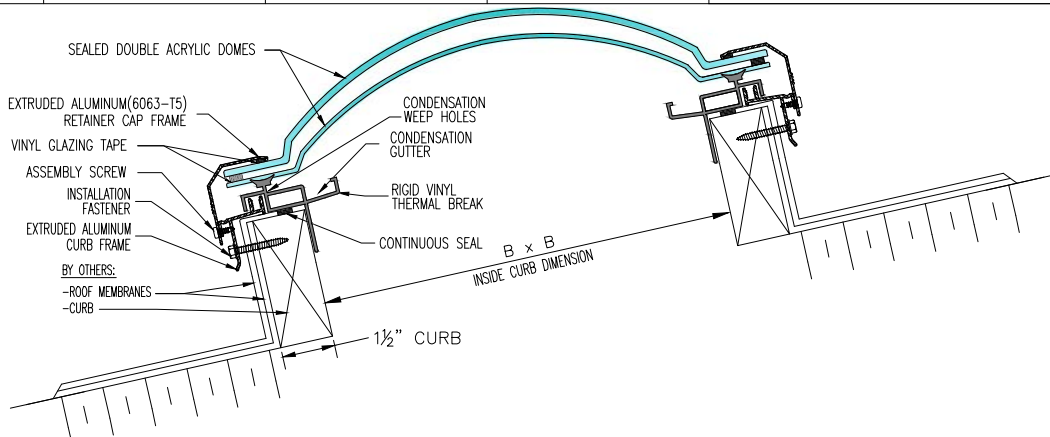
Model FF Available Sizes			
Model #	B x B Dimensions	Dome Color	QTY
FF 2020	14¼" x 14¼" (362mm x 362mm)		
FF 2052	14¼" x 46¼" (362mm x 1175mm)		
FF 2828	22¼" x 22¼" (565mm x 565mm)		
FF 2836	22¼" x 30¼" (565mm x 768mm)		
FF 2852	22¼" x 46¼" (565mm x 1175mm)		
FF 2860	22¼" x 55" (565mm x 1397mm)		
FF 2876	22¼" x 69½" (565mm x 1765mm)		
FF 2896	22¼" x 89½" (565mm x 2273mm)		
FF 3636	30¼" x 30¼" (768mm x 768mm)		
FF 3642	30¼" x 37" (768mm x 940mm)		
FF 3652	30¼" x 46¼" (768mm x 1175mm)		
FF 3660	30¼" x 55" (768mm x 1397mm)		
FF 3676	30¼" x 69½" (768mm x 1765mm)		
FF 3696	30¼" x 89½" (768mm x 2273mm)		
FF 4242	37" x 37" (940mm x 940mm)		
FF 4252	37" x 46¼" (940mm x 1175mm)		
FF 4280	37" x 75" (940mm x 1905mm)		
FF 5252	46¼" x 46¼" (1175mm x 1175mm)		
FF 5260	46¼" x 55" (1175mm x 1397mm)		
FF 5276	46¼" x 69½" (1175mm x 1765mm)		
FF 5280	46¼" x 75" (1175mm x 1905mm)		
FF 5296	46¼" x 89½" (1175mm x 2273mm)		
FF 6060	55" x 55" (1397mm x 1397mm)		
FF 6076	55" x 69½" (1397mm x 1765mm)		
FF 6096	55" x 89½" (1397mm x 2273mm)		
FF 7272	67" x 67" (1702mm x 1702mm)		
FF 7296	67" x 89½" (1702mm x 2273mm)		
FF 8080	75" x 75" (1905mm x 1905mm)		
FF 9696	89½" x 89½" (2273mm x 2273mm)		
FF CUST.			
FF CUST.			

Specifications:

Skylight shall be factory assembled Model No. _____ FF as manufactured by Artistic Skylight Domes Ltd. Vaughan, Ontario. Glazing shall consist of, sealed double acrylic domes (or sealed triple domes) of clear, white, bronze, or grey. The skylight shall consist of corrosion resistant extruded aluminum curb frame, 6063-T5 alloy, with heliarc welded corners. The skylight curb frame shall have an extruded rigid vinyl thermal break (to prevent thermal transfer to interior of building) which incorporates a high capacity, 5 degree sloped condensation gutter with drainage to exterior, and co-extruded rubber draft seal. The retaining cap frame shall be extruded, mill finish (optional baked enamel), 6063-T5 aluminum alloy with heliarc welded corners.

Project:
Contractor:
Architect:
Approved By:
Date:

Dome Colors Available			
Dome Color	Colour Code	Dome Color	Colour Code
Clear	- C	White	- W
Bronze	- B	Grey	- G





Skylights conform to and exceed test requirements of CAN/CGSB-63.14M89, "Plastic Skylights", Class A, Type 2 or Type 3.

Skylights are suitable for use on all type roofs. Designed for mounting on 3" (76mm) to 8" (200mm) wide curbs with flashing (by others), these units are specifically designed for retrofit and/or new applications alike. They provide excellent performance in all geographic locations.

- Custom sizes are available upon request

Model FF Available Sizes			
Model #	Outside Curb Dimensions		Dome Color
FF 2020	17¼" x 17¼"	(435mm x 435mm)	
FF 2052	17¼" x 49¼"	(435mm x 1251mm)	
FF 2828	25¼" x 25¼"	(641mm x 641mm)	
FF 2836	25¼" x 33¼"	(641mm x 845mm)	
FF 2852	25¼" x 49¼"	(641mm x 1251mm)	
FF 2860	25¼" x 58"	(641mm x 1473mm)	
FF 2876	25¼" x 72½"	(641mm x 1842mm)	
FF 2896	25¼" x 92½"	(641mm x 2349mm)	
FF 3636	33¼" x 33¼"	(845mm x 845mm)	
FF 3642	33¼" x 40"	(845mm x 1016mm)	
FF 3652	33¼" x 49¼"	(845mm x 1251mm)	
FF 3660	33¼" x 58"	(845mm x 1473mm)	
FF 3676	33¼" x 72½"	(845mm x 1842mm)	
FF 3696	33¼" x 92½"	(845mm x 2349mm)	
FF 4242	40" x 40"	(1016mm x 1016mm)	
FF 4252	40" x 49¼"	(1016mm x 1251mm)	
FF 4280	40" x 78"	(1016mm x 1981mm)	
FF 5252	49¼" x 49¼"	(1251mm x 1251mm)	
FF 5260	49¼" x 58"	(1251mm x 1473mm)	
FF 5276	49¼" x 72½"	(1251mm x 1842mm)	
FF 5280	49¼" x 78"	(1251mm x 1981mm)	
FF 5296	49¼" x 92½"	(1251mm x 2349mm)	
FF 6060	58" x 58"	(1473mm x 1473mm)	
FF 6076	58" x 72½"	(1473mm x 1842mm)	
FF 6096	58" x 92½"	(1473mm x 2349mm)	
FF 7272	70" x 70"	(1778mm x 1778mm)	
FF 7296	70" x 92½"	(1778mm x 2349mm)	
FF 8080	78" x 78"	(1981mm x 1981mm)	
FF 9696	92½" x 92½"	(2349mm x 2349mm)	
FF CUST.			
FF CUST.			

Specifications:
 Skylight shall be factory assembled Model No. _____ FF as manufactured by Artistic Skylight Domes Ltd. Vaughan, Ontario. Glazing shall consist of, sealed double acrylic domes (or sealed triple domes) of clear, white, bronze, or grey. The skylight shall consist of corrosion resistant extruded aluminum curb frame, 6063-T5 alloy, with heliarc welded corners. The skylight curb frame shall have an extruded rigid vinyl thermal break (to prevent thermal transfer to interior of building) which incorporates a high capacity, 5 degree sloped condensation gutter with drainage to exterior, and co-extruded rubber draft seal. The retaining cap frame shall be extruded, mill finish (optional baked enamel), 6063-T5 aluminum alloy with heliarc welded corners.

Project: _____

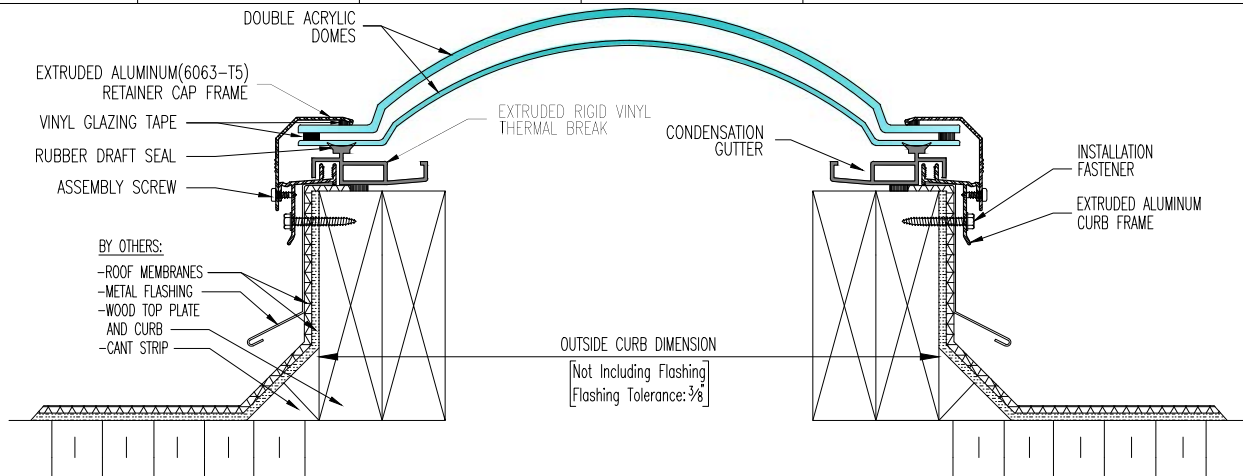
Contractor: _____

Architect: _____

Approved By: _____

Date: _____

Dome Colors Available			
Dome Color	Colour Code	Dome Color	Colour Code
Clear	- C	White	- W
Bronze	- B	Grey	- G



Skylights conform to and exceed test requirements of CAN/CGSB-63.14M89, "Plastic Skylights", Class A, Type 2 or Type 3.

Skylights are suitable for use on all type roofs. Designed for mounting on 1½" (38mm) or 4" (102mm) curbs with flashing (by others), these units provide excellent performance in all geographic locations.

- Custom sizes are available upon request



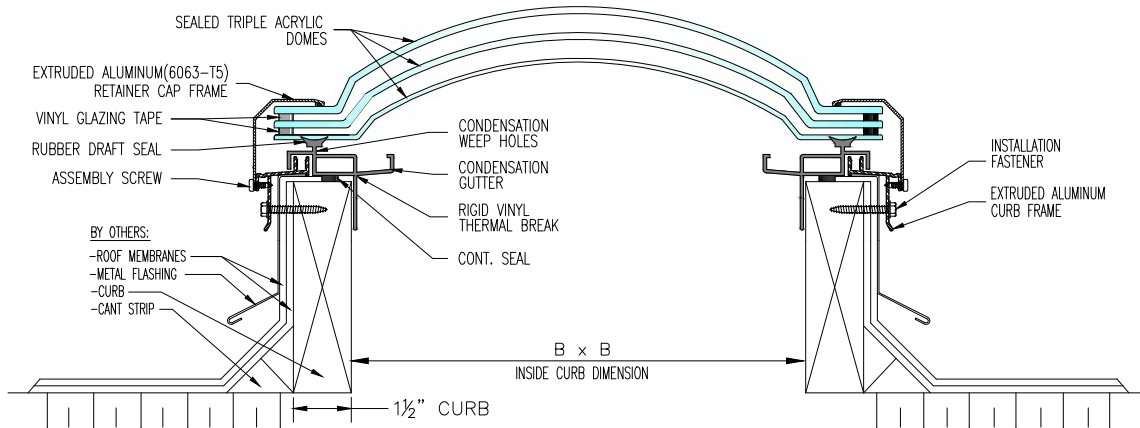
Model T-FF Available Sizes			
Model #	B x B Dimensions	Dome Color	QTY
T-FF 2020	14¼" x 14¼" (362mm x 362mm)		
T-FF 2052	14¼" x 46¼" (362mm x 1175mm)		
T-FF 2828	22¼" x 22¼" (565mm x 565mm)		
T-FF 2836	22¼" x 30¼" (565mm x 768mm)		
T-FF 2852	22¼" x 46¼" (565mm x 1175mm)		
T-FF 2860	22¼" x 55" (565mm x 1397mm)		
T-FF 2876	22¼" x 69½" (565mm x 1765mm)		
T-FF 2896	22¼" x 89½" (565mm x 2273mm)		
T-FF 3636	30¼" x 30¼" (768mm x 768mm)		
T-FF 3642	30¼" x 37" (768mm x 940mm)		
T-FF 3652	30¼" x 46¼" (768mm x 1175mm)		
T-FF 3660	30¼" x 55" (768mm x 1397mm)		
T-FF 3676	30¼" x 69½" (768mm x 1765mm)		
T-FF 3696	30¼" x 89½" (768mm x 2273mm)		
T-FF 4242	37" x 37" (940mm x 940mm)		
T-FF 4252	37" x 46¼" (940mm x 1175mm)		
T-FF 4280	37" x 75" (940mm x 1905mm)		
T-FF 5252	46¼" x 46¼" (1175mm x 1175mm)		
T-FF 5260	46¼" x 55" (1175mm x 1397mm)		
T-FF 5276	46¼" x 69½" (1175mm x 1765mm)		
T-FF 5280	46¼" x 75" (1175mm x 1905mm)		
T-FF 5296	46¼" x 89½" (1175mm x 2273mm)		
T-FF 6060	55" x 55" (1397mm x 1397mm)		
T-FF 6076	55" x 69½" (1397mm x 1765mm)		
T-FF 6096	55" x 89½" (1397mm x 2273mm)		
T-FF 7272	67" x 67" (1702mm x 1702mm)		
T-FF 7296	67" x 89½" (1702mm x 2273mm)		
T-FF 8080	75" x 75" (1905mm x 1905mm)		
T-FF 9696	89½" x 89½" (2273mm x 2273mm)		
T-FF CUST.			
T-FF CUST.			

Specifications:

Skylight shall be factory assembled Model No. _____ T-FF as manufactured by Artistic Skylight Domes Ltd. Vaughan, Ontario. Glazing shall consist of, sealed triple acrylic domes of clear, white, bronze, or grey. The skylight shall consist of corrosion resistant extruded aluminum curb frame, 6063-T5 alloy, with heliarc welded corners. The skylight curb frame shall have an extruded rigid vinyl thermal break (to prevent thermal transfer to interior of building) which incorporates a high capacity, 5 degree sloped condensation gutter with drainage to exterior, and co-extruded rubber draft seal. The retaining cap frame shall be extruded, mill finish (optional baked enamel), 6063-T5 aluminum alloy with heliarc welded corners.

Project:
Contractor:
Architect:
Approved By:
Date:

Dome Colors Available			
Dome Color	Colour Code	Dome Color	Colour Code
Clear	- C	White	- W
Bronze	- B	Grey	- G



Removable Dome Curb Mount Skylight

Skylights conform to and exceed test requirements of CAN/CGSB-63.14M89, "Plastic Skylights", Class A, Type 2 or Type 3.

Skylights are suitable for use on all type roofs. Designed for mounting on 1½" (38mm) or 4" (102mm) curbs with flashing (by others), these units provide excellent performance in all geographic locations.

- Custom sizes are available upon request



Specifications:

Skylight shall be factory assembled Model No. _____ R-FF as manufactured by Artistic Skylight Domes Ltd. Vaughan, Ontario. Glazing shall consist of, sealed double acrylic domes of clear, white, or bronze. The skylight shall consist of corrosion resistant extruded aluminum curb frame, 6063-T5 alloy, with heliarc welded corners. The skylight curb frame shall have an extruded rigid vinyl thermal break which incorporates a 5 degree sloped condensation gutter with drainage to exterior, and co-extruded rubber draft seal. The retaining cap frame shall be extruded, mill finish, 6063-T5 aluminum alloy with heliarc welded corners. Skylights complete with S.S. lockable catch, (locks and mounting by others).

Project:

Contractor:

Architect:

Approved By:

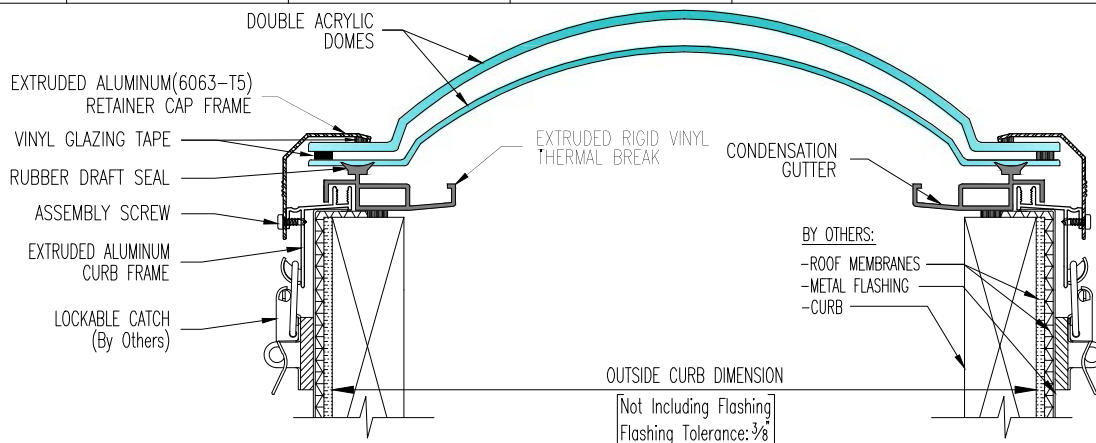
Date:

Model R-FF Available Sizes

Model #	Outside Curb Dimensions	Dome Color	QTY
R-FF 2020	17¼" x 17¼" (438mm x 438mm)		
R-FF 2052	17¼" x 49¼" (438mm x 1251mm)		
R-FF 2828	25¼" x 25¼" (641mm x 641mm)		
R-FF 2836	25¼" x 33¼" (641mm x 844mm)		
R-FF 2852	25¼" x 49¼" (641mm x 1251mm)		
R-FF 2860	25¼" x 58" (641mm x 1473mm)		
R-FF 2876	25¼" x 72½" (641mm x 1842mm)		
R-FF 2896	25¼" x 92½" (641mm x 2349mm)		
R-FF 3636	33¼" x 33¼" (844mm x 844mm)		
R-FF 3642	33¼" x 40" (844mm x 1016mm)		
R-FF 3652	33¼" x 49¼" (844mm x 1251mm)		
R-FF 3660	33¼" x 58" (844mm x 1473mm)		
R-FF 3676	33¼" x 72½" (844mm x 1842mm)		
R-FF 3696	33¼" x 92½" (844mm x 2349mm)		
R-FF 4242	40" x 40" (1016mm x 1016mm)		
R-FF 4252	40" x 49¼" (1016mm x 1251mm)		
R-FF 4280	40" x 78" (1016mm x 1981mm)		
R-FF 5252	49¼" x 49¼" (1251mm x 1251mm)		
R-FF 5260	49¼" x 58" (1251mm x 1473mm)		
R-FF 5276	49¼" x 72½" (1251mm x 1842mm)		
R-FF 5280	49¼" x 78" (1251mm x 1981mm)		
R-FF 5296	49¼" x 92½" (1251mm x 2349mm)		
R-FF 6060	58" x 58" (1473mm x 1473mm)		
R-FF 6076	58" x 72½" (1473mm x 1842mm)		
R-FF 6096	58" x 92½" (1473mm x 2349mm)		
R-FF 7272	70" x 70" (1778mm x 1778mm)		
R-FF 7296	70" x 92½" (1778mm x 2349mm)		
R-FF 8080	78" x 78" (1981mm x 1981mm)		
R-FF 9696	92½" x 92½" (2349mm x 2349mm)		
R-FF CUST.			
R-FF CUST.			

Dome Colors Available

Dome Color	Colour Code	Dome Color	Colour Code
Clear	- C	White	- W
Bronze	- B		



5

STRUCTURAL / ARCHITECTURAL SKYLIGHTS

- Thermal Plastic & Glass Glazing
- Continuous Skylights
- Butted & Cluster Skylights
- Structural Pyramid

Skylights conform to and exceed test requirements of CAN/CGSB-63.14M89, "Plastic Skylights", Class A, Type 2 or Type 3.

Skylights are suitable for use on flat roofs only. Designed for mounting on 3"(75mm) or 4"(102mm) curbs with flashing (by others), these units provide excellent performance and flexible design to achieve large daylight openings.

- Custom sizes are available upon request

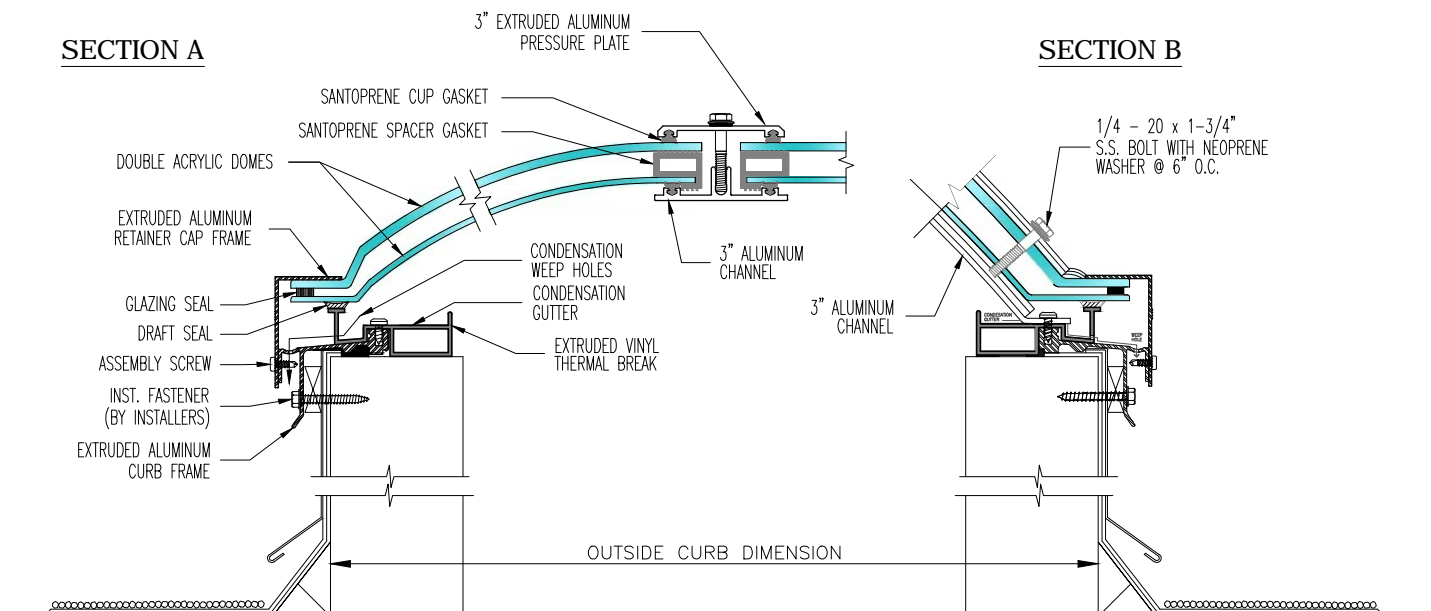


Model CU-FF-DE Available Sizes				
Model #	Outside Curb Dimensions		Glazing Color	QTY
CU-FF-DE 36	33¼" x unlimited	(845mm x unlimited)		
CU-FF-DE 42	40" x unlimited	(1016mm x unlimited)		
CU-FF-DE 52	49¼" x unlimited	(1251mm x unlimited)		
CU-FF-DE 60	58" x unlimited	(1473mm x unlimited)		
CU-FF-DE 72	70" x unlimited	(1778mm x unlimited)		
CU-FF-DE 80	78" x unlimited	(1981mm x unlimited)		
CU-FF-DE 96	92½" x unlimited	(2350mm x unlimited)		
CU-FF-DE CUST.				
CU-FF-DE CUST.				
Glazing Colors Available				
Glazing Color	Colour Code	Glazing Color	Colour Code	
Clear	- C	White	- W	
Bronze	- B	Grey	- G	

Project:
Contractor:
Architect:
Approved By:
Date:

Specifications:

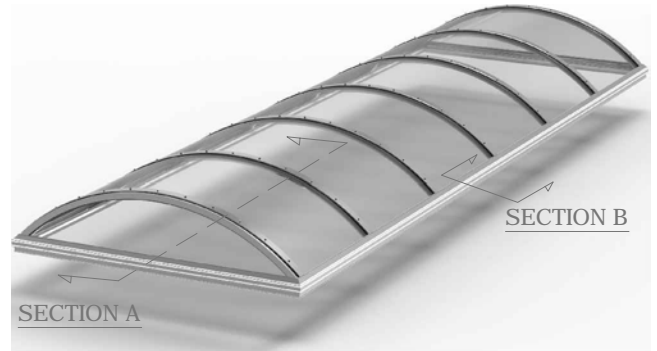
Skylight shall be factory assembled Model No. _____ CU-FF-DE as manufactured by Artistic Skylight Domes Ltd. Vaughan, Ontario. Glazing shall consist of, double acrylic dome ends and curved centre drapes of clear, white, bronze, or grey (when available). The skylight shall consist of corrosion resistant extruded aluminum curb frame, 6063-T5 alloy, with heliarc welded corner. The skylight curb frame shall have an extruded rigid vinyl thermal break, which incorporates a high capacity, sloped condensation gutter with drainage to exterior, and co-extruded rubber draft seal. The retaining cap frame shall be extruded, mill finish, 6063-T5 aluminum alloy with heliarc welded corners. Mullions shall consist of 3" mill finish, pre-arc'd, extruded aluminum channel and pressure plate of 6063-T5 alloy, with keyed in place Santoprene gaskets and spacers. Channel spacing approximately 4' on centre. For units smaller than 5' wide, replace 3" Channel with 3" Flat Channel.



Skylights conform to and exceed test requirements of CAN/CGSB-63.14M89, "Plastic Skylights", Class A, Type 2 or Type 3.

Skylights are suitable for use on flat roofs only. Designed for mounting on 3"(75mm) or 4"(102mm) curbs with flashing (by others), these units provide excellent performance and flexible design to achieve large daylight openings.

- Custom sizes are available upon request

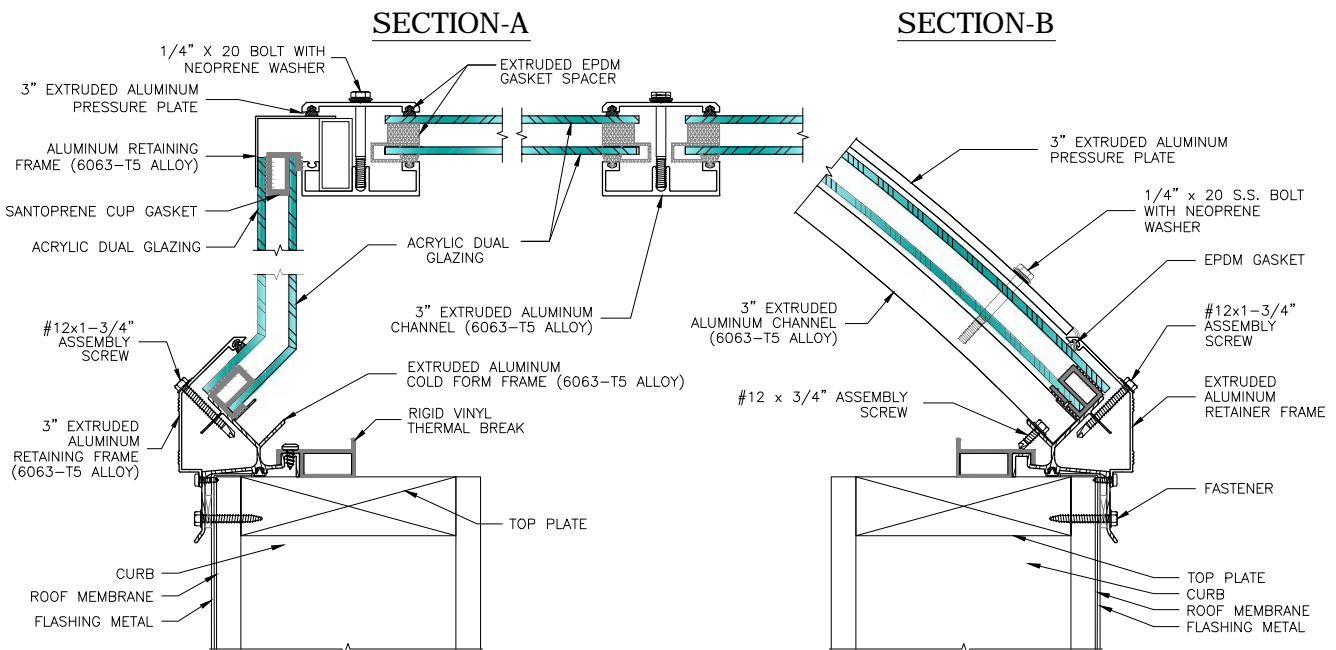


Model CF-FF-VE Available Sizes			
Model #	Outside Curb Dimensions	Glazing Color	QTY
CF-FF-VE - 36	33¼" x unlimited (845mm x unlimited)		
CF-FF-VE - 42	40" x unlimited (1016mm x unlimited)		
CF-FF-VE - 52	49¼" x unlimited (1251mm x unlimited)		
CF-FF-VE - 60	58" x unlimited (1473mm x unlimited)		
CF-FF-VE - 72	70" x unlimited (1778mm x unlimited)		
CF-FF-VE - 80	78" x unlimited (1981mm x unlimited)		
CF-FF-VE - 96	92½" x unlimited (2350mm x unlimited)		
CF-FF-VE-CUST.			
CF-FF-VE-CUST.			
Glazing Colors Available			
Glazing Color	Colour Code	Glazing Color	Colour Code
Clear	- C	White	- W
Bronze	- B	Grey	- G

Project:
Contractor:
Architect:
Approved By:
Date:

Specifications:

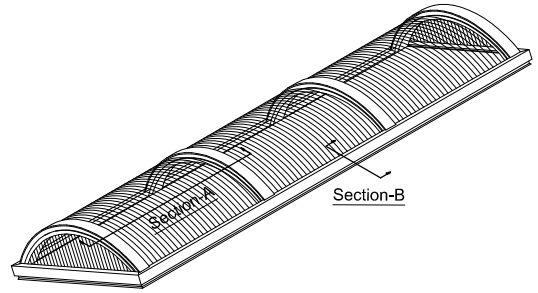
Skylight shall be factory assembled Model No. _____ CF-FF-VE as manufactured by Artistic Skylight Domes Ltd. Vaughan, Ontario. Glazing shall consist of, double acrylic vertical ends and curved centre drapes of clear, white, bronze, or grey(when available). The skylight shall consist of corrosion resistant extruded aluminum curb frame, 6063-T5 alloy, with heliarc welded corner. The skylight curb frame shall have an extruded rigid vinyl thermal break, which incorporates a high capacity, sloped condensation gutter with drainage to exterior, and co-extruded rubber draft seal. The retaining cap frame shall be extruded, mill finish, 6063-T5 aluminum alloy with heliarc welded corners. Mullions shall consist of 3" mill finish, pre-arc'd, extruded aluminum channel and pressure plate of 6063-T5 alloy, with keyed in place Santoprene gaskets and spacers. Channel spacing approximately 4' on centre.



Skylights conform to and exceed test requirements of CAN/CGSB-63.14M89, "Plastic Skylights", Class A, Type 2 or Type 3.

Skylights are suitable for use on flat roofs only. Designed for mounting on 3"(75mm) or 4"(102mm) curbs with flashing (by others), these units provide excellent performance and flexible design to achieve large daylight openings.

- Custom sizes are available upon request



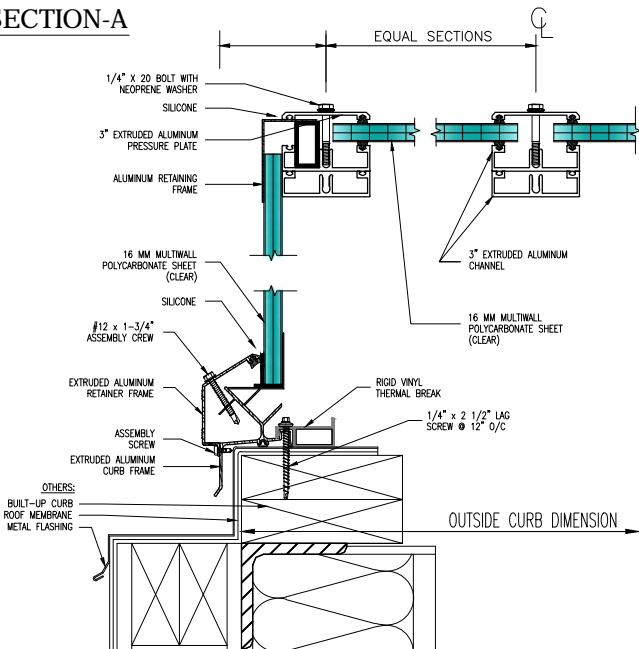
Model MW-CF-FF-VE Available Sizes			
Model #	Outside Curb Dimensions		Glazing Color
MW-CF-FF-VE - 36	33 1/4" x unlimited	(845mm x unlimited)	
MW-CF-FF-VE - 42	40" x unlimited	(1016mm x unlimited)	
MW-CF-FF-VE - 52	49 1/4" x unlimited	(1251mm x unlimited)	
MW-CF-FF-VE - 60	58" x unlimited	(1473mm x unlimited)	
MW-CF-FF-VE - 72	70" x unlimited	(1778mm x unlimited)	
MW-CF-FF-VE - 80	78" x unlimited	(1981mm x unlimited)	
MW-CF-FF-VE - 96	92 1/2" x unlimited	(2350mm x unlimited)	
MW-CF-FF-VE CUST.			
Glazing Colors Available			
Glazing Color	Colour Code	Glazing Color	Colour Code
Clear	- C	White	- W
Bronze	- B		

Project:
Contractor:
Architect:
Approved By:
Date:

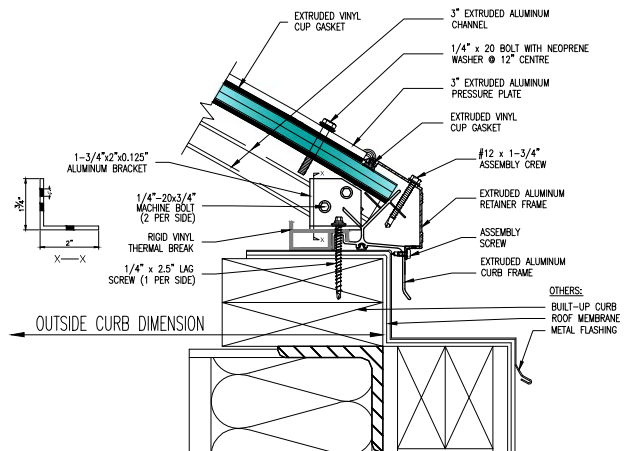
Specifications:

Skylight shall be factory assembled Model No. _____ MW-CF-FF-VE as manufactured by Artistic Skylight Domes Ltd. Vaughan, Ontario. Glazing shall consist of 16mm multi-wall polycarbonate panels (optional 25mm) in clear, optional bronze or translucent white. The skylight shall consist of corrosion resistant extruded aluminum curb frame, 6063-T5 alloy, with heliarc welded corner. The skylight curb frame shall have an extruded rigid vinyl thermal break, which incorporates a high capacity, sloped condensation gutter with drainage to exterior, and co-extruded rubber draft seal. The retaining cap frame shall be extruded, mill finish, 6063-T5 aluminum alloy with heliarc welded corners. Mullions shall consist of 3" mill finish, pre-arc'd, extruded aluminum channel and pressure plate of 6063-T5 alloy, with keyed in place Santoprene gaskets and spacers. Channel spacing approximately 4' on centre.

SECTION-A



SECTION-B



Skylights conform to and exceed test requirements of CAN/CGSB-63.14M89, "Plastic Skylights", Class A, Type 2 or Type 3.

Skylights are suitable for use on flat roofs, for mounting on curbs and flashing by others. Provides flexibility to obtain longer openings by joining two or more skylights in linear length.

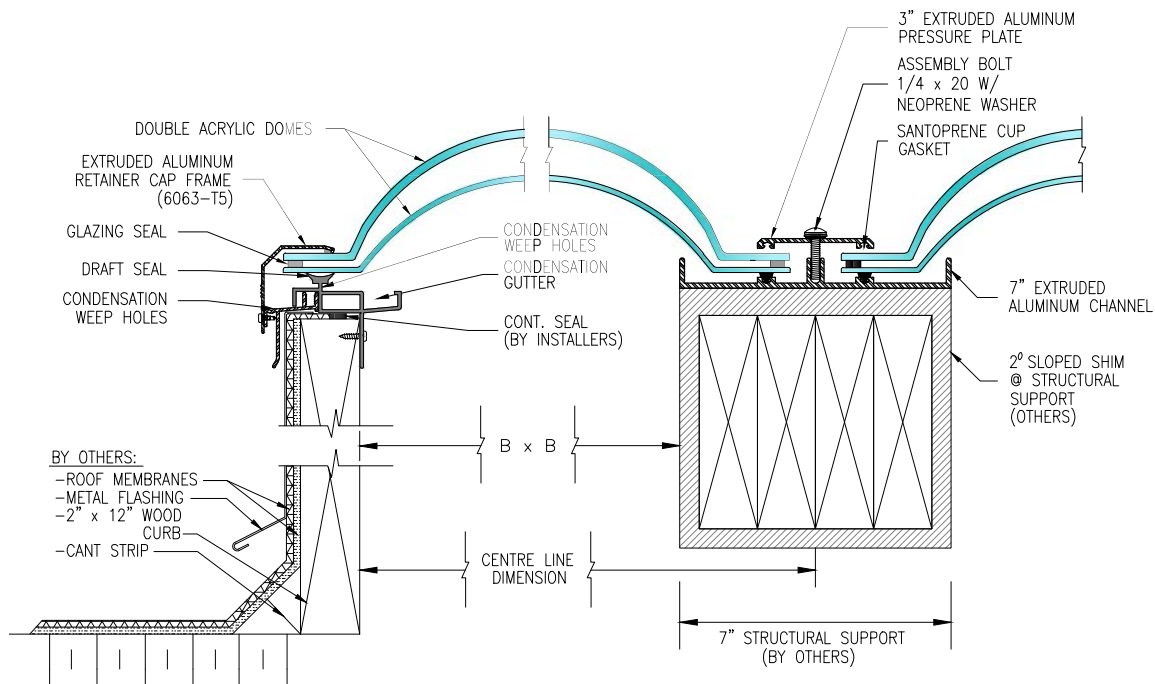
- Custom sizes are available upon request



Specifications:

Skylight shall be factory assembled Model No. _____ FF-BUTTED as manufactured by Artistic Skylight Domes Ltd. Vaughan, Ontario. Glazing shall consist of, sealed double acrylic domes (or sealed triple domes) of clear, white, bronze, or grey. The skylight shall consist of corrosion resistant extruded aluminum curb frame, 6063-T5 alloy, with heliarc welded corners. The skylight curb frame shall have an extruded rigid vinyl thermal break (to prevent thermal transfer to interior of building) which incorporates a high capacity, 5 degree sloped condensation gutter with drainage to exterior, and co-extruded rubber draft seal. The retaining cap frame shall be extruded, mill finish (optional baked enamel), 6063-T5 aluminum alloy with heliarc welded corners. Mullions shall consist of 7" mill finish (optional baked enamel), extruded aluminum channel and pressure plate, 6063-T5 alloy, with resilient neoprene gaskets. Structural and intermediate supports are supplied by others.

Model FF-BUTTED Available Sizes			
Model #	Centerline Dimensions	Dome Color	QTY
FF-BUTTED 3636	33 3/4" x 33 3/4" (845mm x 845mm)		
FF-BUTTED 4242	40" x 40" (1016mm x 1016mm)		
FF-BUTTED 5252	49 1/4" x 49 1/4" (1251mm x 1251mm)		
FF-BUTTED 6060	58" x 58" (1473mm x 1473mm)		
FF-BUTTED 7272	70" x 70" (1778mm x 1778mm)		
FF-BUTTED 9696	92 1/2" x 92 1/2" (2350mm x 2350mm)		
FF-BUTTED CUST.			
FF-BUTTED CUST.			
Dome Colors Available			
Dome Color	Colour Code	Dome Color	Colour Code
Clear	- C	White	- W
Bronze	- B	Grey	- G
Project:			
Contractor:		Approved By:	
Architect:		Date:	



Insulating glazing units conform to and exceed test requirements of CAN/CGSB-12.8-M90 and IGMAC certification program.

Skylights are suitable for use all types roof, for mounting on curbs and flashing by others. Provides flexibility to obtain openings by joining two or more skylights in grid format.

- Custom sizes are available upon request



Model G-FF-BUTTED Available Sizes

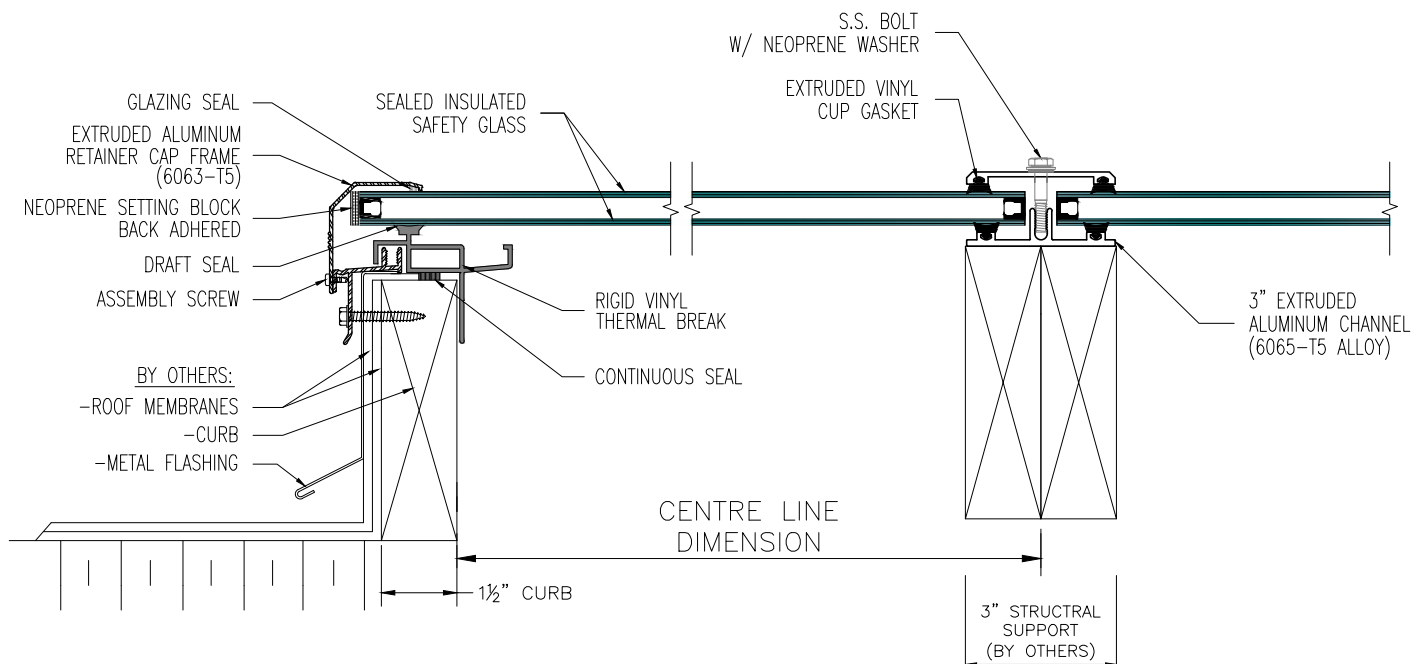
Model #	Centerline Dimensions	Glass Glazing Type	QTY
G-FF-BUTTED 3636	33 $\frac{3}{4}$ " x 33 $\frac{3}{4}$ " (845mm x 845mm)		
G-FF-BUTTED 4242	40" x 40" (1016mm x 1016mm)		
G-FF-BUTTED 5252	49 $\frac{1}{4}$ " x 49 $\frac{1}{4}$ " (1251mm x 1251mm)		
G-FF-BUTTED 6060	58" x 58" (1473mm x 1473mm)		
G-FF-BUTTED 7272	70" x 70" (1778mm x 1778mm)		
G-FF-BUTTED 9696	92 $\frac{1}{2}$ " x 92 $\frac{1}{2}$ " (2350mm x 2350mm)		
G-FF-BUTTED CUST.			
G-FF-BUTTED CUST.			

Glass Colors Available			
Dome Color	Colour Code	Glass Glazing	Colour Code
Clear/Low-E	- Low-E	Clear/Laminated	- Lami.
Bronze/Low-E	- B/Low-E	Argon/Low-E	- Low-E/Arg

Project:	
Contractor:	Approved By:
Architect:	Date:

Specifications:

Skylight shall be factory assembled Model No. _____ G-FF-BUTTED as manufactured by Artistic Skylight Domes Ltd. Vaughan, Ontario. Glazing shall consist of, sealed dual tempered glass of clear low-E over clear. The skylight shall consist of corrosion resistant extruded aluminum curb frame, 6063-T5 alloy, with heliarc welded corners. The skylight curb frame shall have an extruded rigid vinyl thermal break (to prevent thermal transfer to interior of building) which incorporates a high capacity, 5 degree sloped condensation gutter with drainage to exterior, and co-extruded rubber draft seal. The retaining cap frame shall be extruded, mill finish (optional baked enamel), 6063-T5 aluminum alloy with heliarc welded corners.





Skylights conform to and exceed test requirements of CAN/CGSB-63.14M89, "Plastic Skylights", Class A, Type 2 or Type 3.

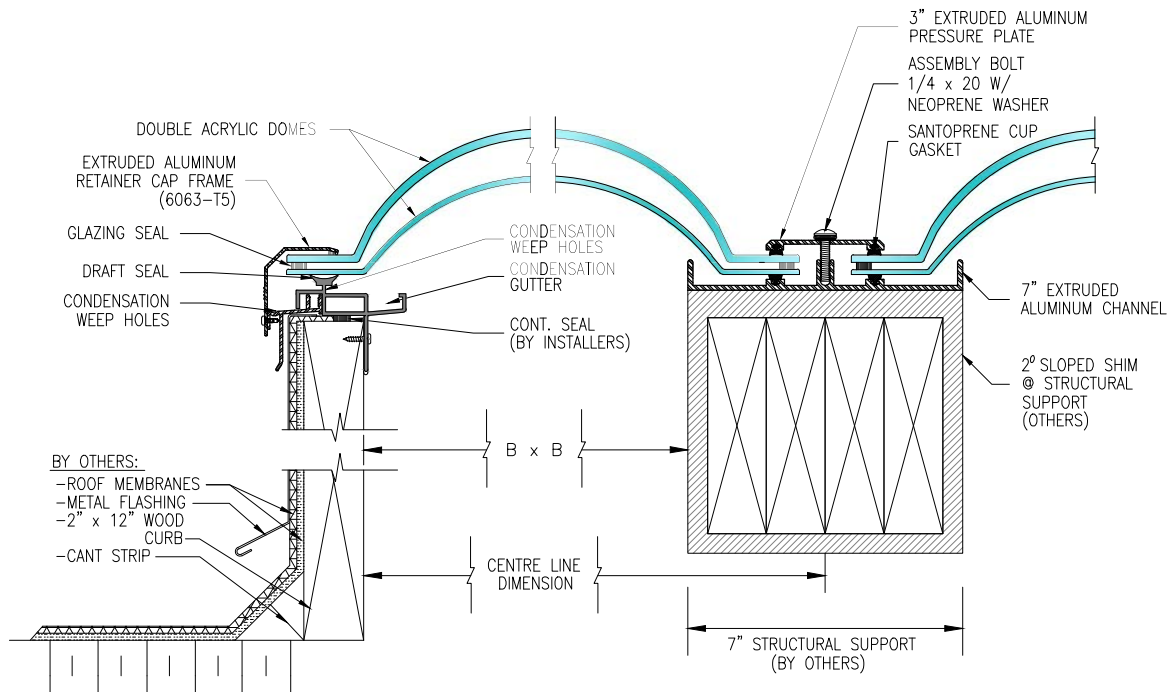
Skylights are suitable for use on flat roofs, for mounting on curbs and flashing by others. Provides flexibility to obtain larger openings by joining two or more skylights in grid format.

- Custom sizes are available upon request

Model FF-CLUSTERED Available Sizes			
Model #	Centerline Dimensions	Dome Color	QTY
FF-CLUSTERED 3636	33 $\frac{1}{2}$ " x 33 $\frac{1}{2}$ " (845mm x 845mm)		
FF-CLUSTERED 4242	40" x 40" (1016mm x 1016mm)		
FF-CLUSTERED 5252	49 $\frac{1}{4}$ " x 49 $\frac{1}{4}$ " (1251mm x 1251mm)		
FF-CLUSTERED 6060	58" x 58" (1473mm x 1473mm)		
FF-CLUSTERED 7272	70" x 70" (1778mm x 1778mm)		
FF-CLUSTERED 9696	92 $\frac{1}{2}$ " x 92 $\frac{1}{2}$ " (2350mm x 2350mm)		
FF-CLUSTERED CUST.			
FF-CLUSTERED CUST.			
Dome Colors Available			
Dome Color	Colour Code	Dome Color	Colour Code
Clear	- C	White	- W
Bronze	- B	Grey	- G
Project:			
Contractor:		Approved By:	
Architect:		Date:	

Specifications:

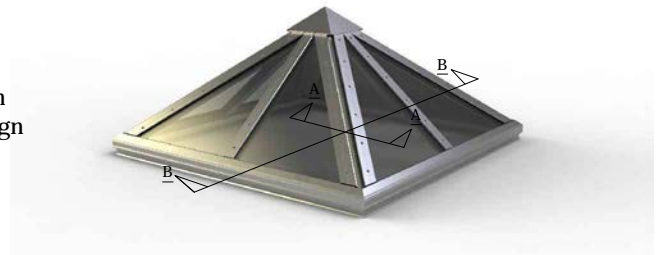
Skylight shall be factory assembled Model No. _____ FF-CLUSTERED as manufactured by Artistic Skylight Domes Ltd. Vaughan, Ontario. Glazing shall consist of, sealed double acrylic domes (or sealed triple domes) of clear, white, bronze, or grey. The skylight shall consist of corrosion resistant extruded aluminum curb frame, 6063-T5 alloy, with heliarc welded corners. The skylight curb frame shall have an extruded rigid vinyl thermal break (to prevent thermal transfer to interior of building) which incorporates a high capacity, 5 degree sloped condensation gutter with drainage to exterior, and co-extruded rubber draft seal. The retaining cap frame shall be extruded, mill finish (optional baked enamel, 6063-T5 aluminum alloy with heliarc welded corners. Mullions shall consist of 7" mill finish (optional baked enamel, extruded aluminum channel and pressure plate, 6063-T5 alloy, with resilient neoprene gaskets. Structural and intermediate supports are supplied by others.



Insulating glazing units conform to and exceed test requirements of CAN/CGSG-12.8-M90 and IGMAC certification program.

Skylights are suitable for use on flat roofs only. Designed for mounting on 3"(75mm) or 4"(102mm) curbs with flashing (by others), The flexible design makes it easy to achieve larger daylight openings.

- Custom sizes are available upon request

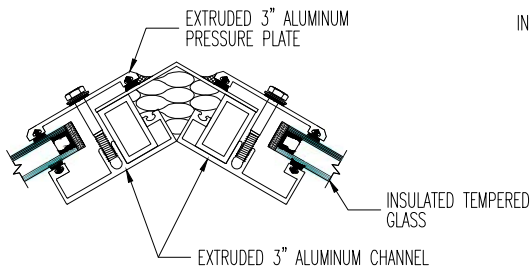


Model G-P-CF-FF Available Sizes				Project:	
Model #	Outside Curb Dimensions	Glazing Type	QTY	Contractor:	
G-P-CF-FF-42	40" x 40" (1016mm x 1016 mm)				
G-P-CF-FF-52	49½" x 49½" (1251mm x 1251 mm)				
G-P-CF-FF-60	58" x 58" (1473mm x 1473 mm)				
G-P-CF-FF-72	70" x 70" (1778mm x 1778 mm)				
G-P-CF-FF-96	92½" x 92½" (2350mm x 2350mm)			Architect:	
G-P-CF-FF CUST.					
G-P-CF-FF CUST.				Approved By:	
Glass Glazing Available					
Glass Glazing	Colour Code	Glass Glazing	Colour Code	Date:	
Clear/Low-E	- Low-E	Clear/Laminated	- Lami.		
Bronze/Low-E	- B/Low-E	Argon/Low-E	- Low-E/Arg		

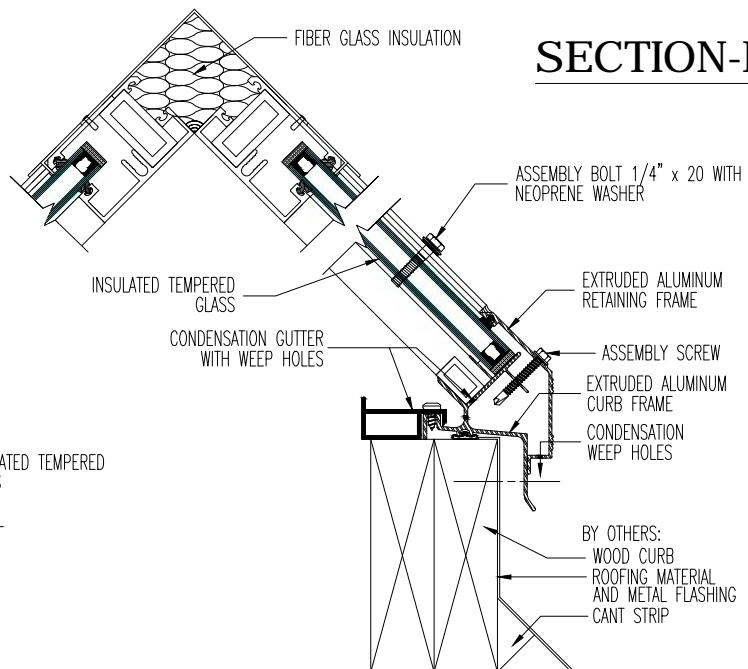
Specifications:

Skylight shall be factory assembled Model No. _____ G-P-CF-FF as manufactured by Artistic Skylight Domes Ltd. Vaughan, Ontario. Glazing shall consist of sealed dual tempered glass of clear low-E over clear. The skylight shall consist of corrosion resistant extruded aluminum curb frame, 6063-T5 alloy, with heliarc welded corners. The skylight curb frame shall have an extruded aluminum vinyl thermal break, with high capacity, sloped condensation gutter and drainage to exterior. The retaining cap frame shall be extruded, mill finish, 6063-T5 aluminum alloy with heliarc welded corners. Ridge shall consist of double 3" (rafter of single 3") mill finish extruded aluminum channel and pressure plate of 6063-T5 alloy, with keyed in place Santoprene gaskets. Rafters to be at 4' spacing. Options include painted, anodized or powder coated finishes on aluminum.

SECTION-A



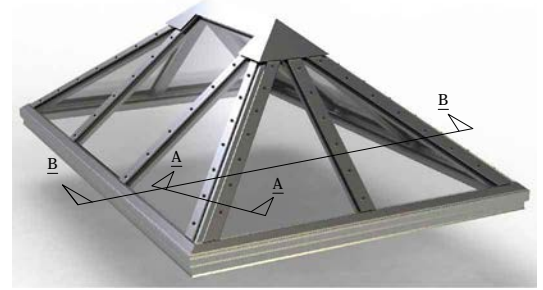
SECTION-B



Insulating glazing units conform to and exceed test requirements of CAN/CGSG-12.8-M90 and IGMAC certification program.

Skylights are suitable for use on flat roofs only. Designed for mounting on 3"(75mm) or 4"(102mm) curbs with flashing (by others), The flexible design makes it easy to achieve larger daylight openings.

- Custom sizes are available upon request

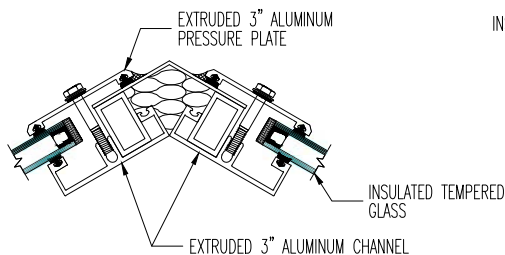


Model G-CU-P-CF-FF Available Sizes				Project:
Model #	Outside Curb Dimensions	Glazing Type	QTY	Architect:
G-CU-P-CF-FF CUST.				Approved By:
G-CU-P-CF-FF CUST.				Date:
Glass Glazing Available				
Glass Glazing	Colour Code	Glass Glazing	Colour Code	
Clear/Low-E	- Low-E	Clear/Laminated	- Lami.	
Bronze/Low-E	- B/Low-E	Argon/Low-E	- Low-E/Arg	

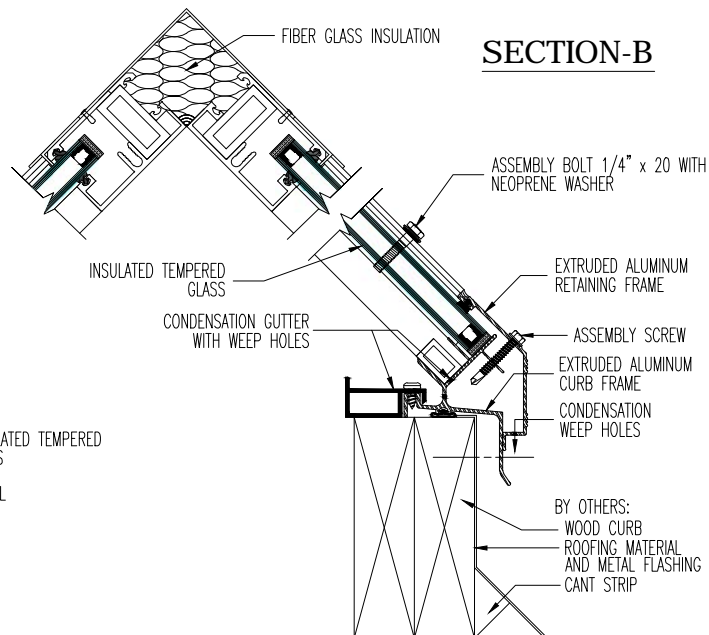
Specifications:

Skylight shall be factory assembled Model No. _____ G-CU-P-CF-FF as manufactured by Artistic Skylight Domes Ltd. Vaughan, Ontario. Glazing shall consist of sealed dual tempered glass of clear low-E over clear. The skylight shall consist of corrosion resistant extruded aluminum curb frame, 6063-T5 alloy, with heliarc welded corners. The skylight curb frame shall have an extruded aluminum vinyl thermal break, with high capacity, sloped condensation gutter and drainage to exterior. The retaining cap frame shall be extruded, mill finish, 6063-T5 aluminum alloy with heliarc welded corners. Ridge shall consist of double 3" (rafter of single 3") mill finish extruded aluminum channel and pressure plate of 6063-T5 alloy, with keyed in place Santoprene gaskets. Rafters to be at 4' spacing. Options include painted, anodized or powder coated finishes on aluminum.

SECTION-A

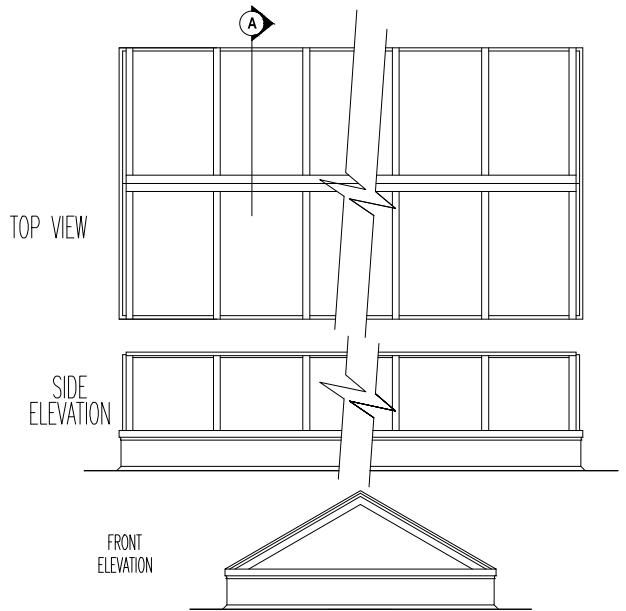


SECTION-B



Skylights conform to and exceed test requirements of CAN/CGSB-63.14M89, "Plastic Skylights", Class A, Type 2 or Type 3.

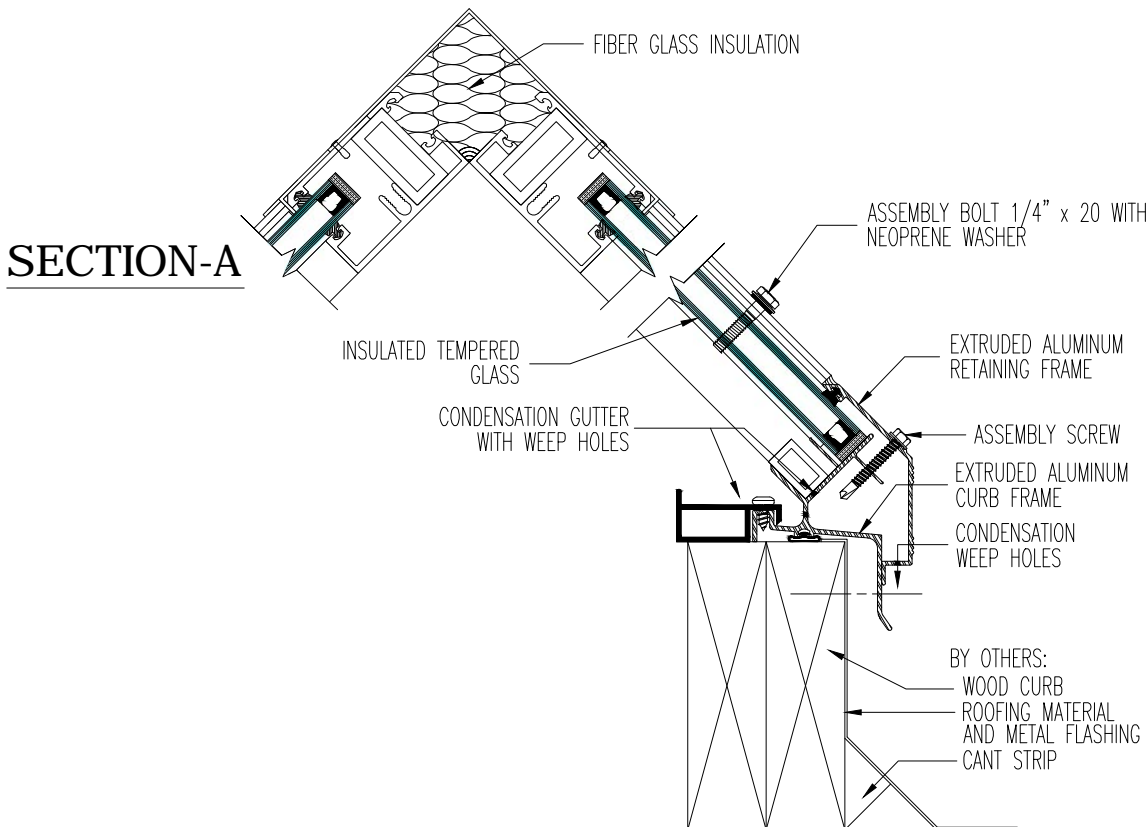
Skylights are suitable for use on flat roofs only. Designed for mounting on 3"(75mm) or 4"(102mm) curbs with flashing (by others), The flexible design makes it easy to achieve larger daylight openings, while providing an excellent alternative as a lightweight assembly to traditional heavy glass systems.



Project:		Date:	
Model G-P-CU-CF-FF-VE			
Model #	Outside Curb Dimensions	Glazing Type	QTY
G-P-CU-CF-FF-VE CUST.			
G-P-CU-CF-FF-VE CUST.			
Glass Glazing Available			
Glass Glazing	Colour Code	Glass Glazing	Colour Code
Clear/Low-E	- Low-E	Clear/Laminated	- Lami.
Bronze/Low-E	- B/Low-E	Argon/Low-E	- Low-E/Arg

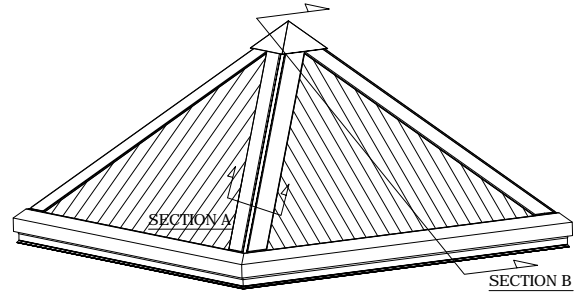
Specifications:

Skylight shall be factory assembled Model No. _____ G-P-CU-CF-FF-VE as manufactured by Artistic Skylight Domes Ltd. Vaughan, Ontario. Glazing shall consist of sealed dual tempered glass of clear low-E over clear. The skylight shall consist of corrosion resistant extruded aluminum curb frame, 6063-T5 alloy, with heliarc welded corners. The skylight curb frame shall have an extruded aluminum vinyl thermal break, with high capacity, sloped condensation gutter and drainage to exterior. The retaining cap frame shall be extruded, mill finish, 6063-T5 aluminum alloy with heliarc welded corners. Ridge shall consist of mill finish extruded aluminum channel and pressure plate of 6063-T5 alloy, with keyed in place Santoprene gaskets. Options include painted, anodized or powder coated finishes on aluminum.



Skylights conform to and exceed test requirements of CAN/CGSB-63.14M89, "Plastic Skylights", Class A, Type 2 or Type 3.

Skylights are suitable for use on flat roofs only. Designed for mounting on 3"(75mm) or 4"(102mm) curbs with flashing (by others), The flexible design makes it easy to achieve larger daylight openings, while providing an excellent alternative as a lightweight assembly to traditional heavy glass systems.



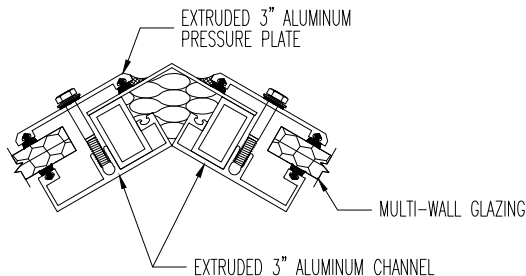
- Custom sizes are available upon request

Model MW-P-CF-FF Available Sizes				Project:		
Model #	Outside Curb Dimensions		Glazing Color	QTY	Contractor:	
MW-P-CF-FF-42	40" x 40" (1016mm x 1016 mm)				Architect:	
MW-P-CF-FF-52	49½" x 49½" (1251mm x 1251 mm)				Approved By:	
MW-P-CF-FF-60	58" x 58" (1473mm x 1473 mm)				Date:	
MW-P-CF-FF-72	70" x 70" (1778mm x 1778 mm)					
MW-P-CF-FF-96	92½" x 92½" (2350mm x 2350mm)					
MW-P-CF-FF CUST.						
MW-P-CF-FF CUST.						
Glazing Colors Available						
Glazing Color	Colour Code	Glazing Color	Colour Code			
Clear	- C	White	- W			
Bronze	- B					

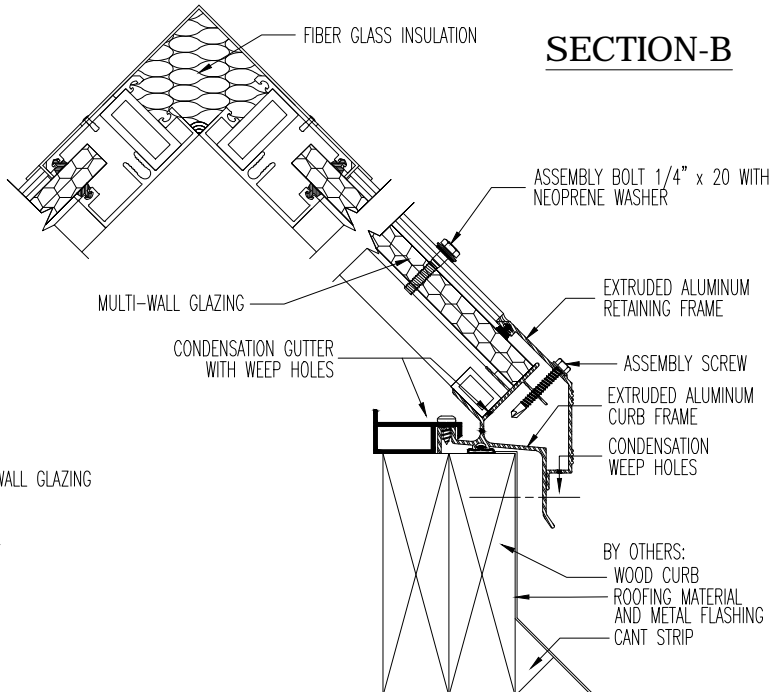
Specifications:

Skylight shall be factory assembled Model No. _____ MW-P-CF-FF as manufactured by Artistic Skylight Domes Ltd. Vaughan, Ontario. Glazing shall consist of 16mm multi-wall polycarbonate panels (optional 25mm) in clear, optional bronze or translucent white. The skylight shall consist of corrosion resistant extruded aluminum curb frame, 6063-T5 alloy, with heliarc welded corners. The skylight curb frame shall have an extruded aluminum vinyl thermal break, with high capacity, sloped condensation gutter and drainage to exterior. The retaining cap frame shall be extruded, mill finish, 6063-T5 aluminum alloy with heliarc welded corners. Ridge shall consist of double 3" (rafter of single 3") mill finish extruded aluminum channel and pressure plate of 6063-T5 alloy, with keyed in place Santoprene gaskets. Rafters to be at 4' spacing. Options include painted, anodized or powder coated finishes on aluminum.

SECTION-A



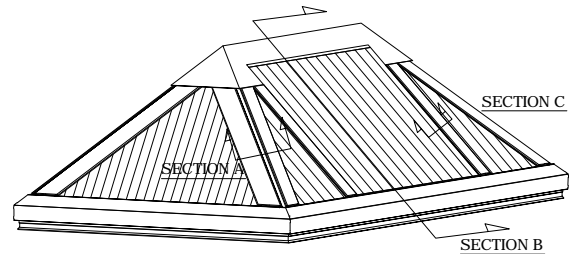
SECTION-B



Skylights conform to and exceed test requirements of CAN/CGSB-63.14M89, "Plastic Skylights", Class A, Type 2 or Type 3.

Skylights are suitable for use on flat roofs only. Designed for mounting on 3"(75mm) or 4"(102mm) curbs with flashing (by others), The flexible design makes it easy to achieve larger daylight openings, while providing an excellent alternative as a lightweight assembly to traditional heavy glass systems.

- Custom sizes are available upon request

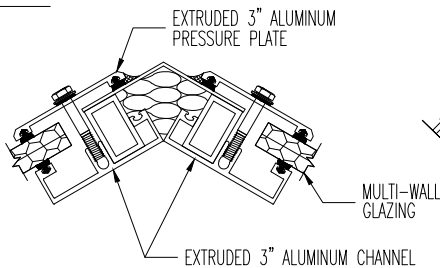


Model MW-CU-P-CF-FF Available Sizes				Project:
Model #	Outside Curb Dimensions	Glazing Color	QTY	Contractor:
MW-CU-P-CF-FF-42	40" x Unlimited (1016mm x Unlimited)			
MW-CU-P-CF-FF-52	49½" x Unlimited (1251mm x Unlimited)			
MW-CU-P-CF-FF-60	58" x Unlimited (1473mm x Unlimited)			
MW-CU-P-CF-FF-72	70" x Unlimited (1778mm x Unlimited)			
MW-CU-P-CF-FF-96	92½" x Unlimited (2350mm x Unlimited)			
MW-CU-P-CF-FF CUST.				
MW-CU-P-CF-FF CUST.				Architect:
Glazing Colors Available				Approved By:
Glazing Color	Colour Code	Glazing Color	Colour Code	Date:
Clear	- C	White	- W	
Bronze	- B			

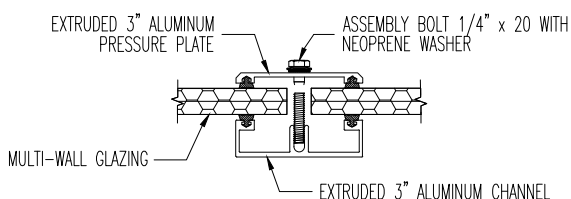
Specifications:

Skylight shall be factory assembled Model No. _____ MW-CU-P-CF-FF as manufactured by Artistic Skylight Domes Ltd. Vaughan, Ontario. Glazing shall consist of 16mm multi-wall polycarbonate panels (optional 25mm) in clear, optional bronze or translucent white. The skylight shall consist of corrosion resistant extruded aluminum curb frame, 6063-T5 alloy, with heliarc welded corners. The skylight curb frame shall have an extruded aluminum vinyl thermal break, with high capacity, sloped condensation gutter and drainage to exterior. The retaining cap frame shall be extruded, mill finish, 6063-T5 aluminum alloy with heliarc welded corners. Ridge shall consist of double 3" (rafter of single 3") mill finish extruded aluminum channel and pressure plate of 6063-T5 alloy, with keyed in place Santoprene gaskets. Rafters to be at 4' (1219mm) spacing. Options include painted, anodized or powder coated finishes on aluminum.

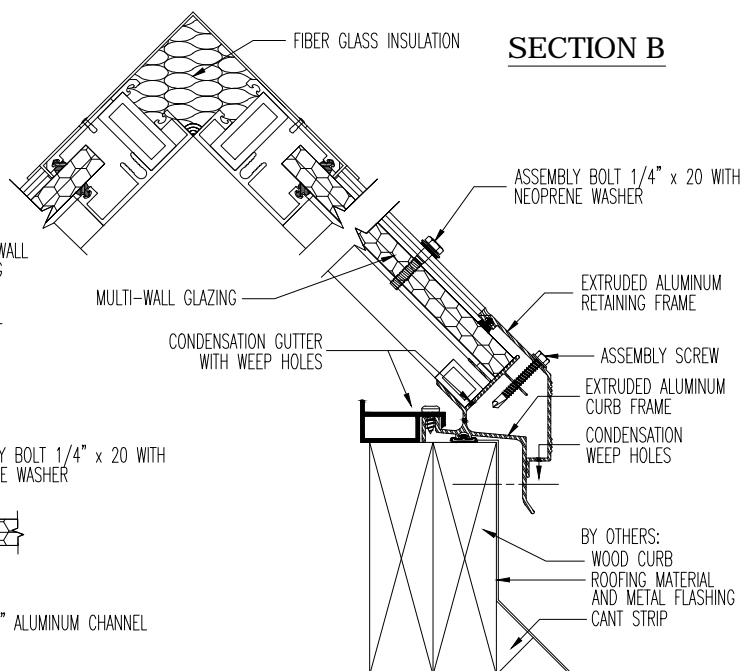
SECTION A



SECTION C



SECTION B



6

CIRCULAR SKYLIGHTS

- Pre-Fabricated Insulated Curb
- Curb Mount
- Wall Mount, Glass & Dome

Skylights conform to and exceed test requirements of CAN/CGSB-63.14M89, "Plastic Skylights", Class A, Type 2 or Type 3.

Skylights designed to be installed on flat roofs. These skylights mount directly over roof opening and come complete with prefabricated, insulated aluminum curbs.

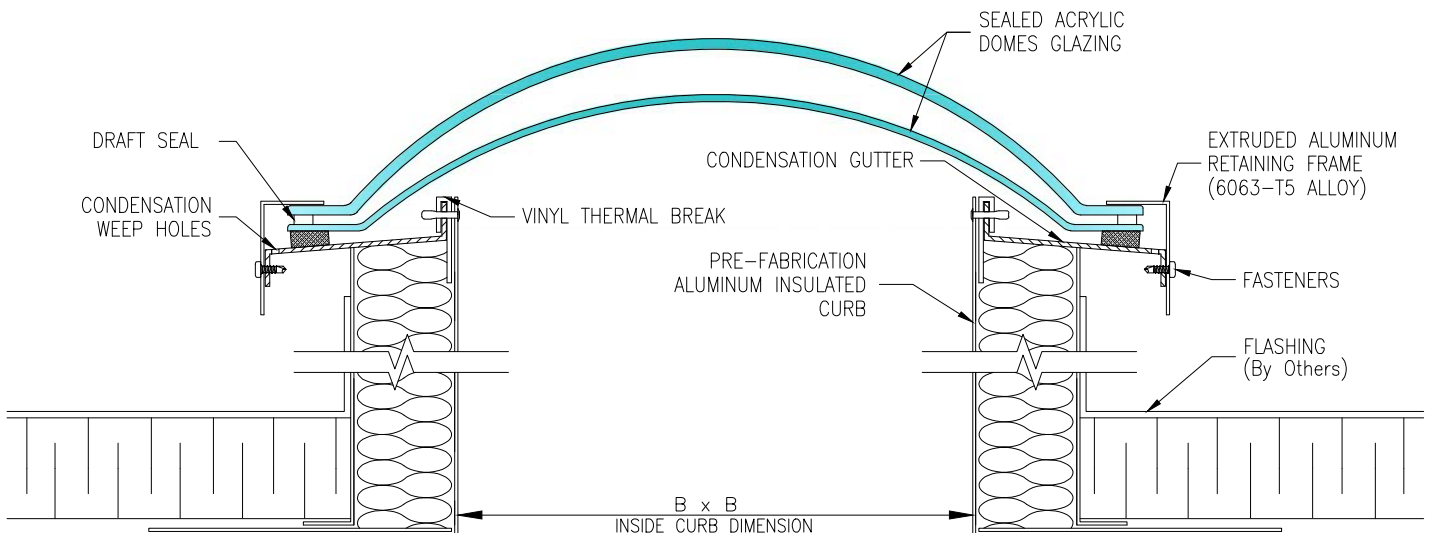
- Custom sizes are available upon request



Model C Available Sizes				
Model #	B Dimensions	Dome Color		QTY
C 28	22½" (572mm)			
C 36	30½" (775mm)			
C 42	37" (940mm)			
C 48	43" (1092mm)			
C 52	46½" (1181mm)			
C 60	55" (1397mm)			
C 72	67" (1702mm)			
C 80	75" (1905mm)			
C 96	89½" (2273mm)			
C				
CUST. Dome Colors Available				
Dome Color	Colour Code	Dome Color	Colour Code	
Clear	- C	White	- W	
Bronze	- B	Grey	- G	
Project:		Architect:		
Contractor:		Approved By:		Date:

Specifications:

Skylight shall be factory assembled Model No. C _____ as manufactured by Artistic Skylight Domes Ltd. Vaughan, Ontario. Glazing shall consist of, sealed double acrylic domes (or sealed triple domes) of clear, white, bronze, or grey. skylight shall consist of aluminum curb frame with thermal break and sloped condensation gutter with drainage to exterior. Retaining cap frame shall be mill finish, 6063-T5 aluminum alloy. Curb shall be 9" high (optional 12") mill finish aluminum, 2 piece construction of .050 outer wall and .050 inner wall, with 2" thick fiberglass insulation and 3" aluminum mounting flange.



Skylights conform to and exceed test requirements of CAN/CGSB-63.14M89, "Plastic Skylights", Class D, Type 2 or Type 3.

Skylights designed to be installed on flat roofs. These skylights are designed for installation on 3" curbs with flashings by others

- Custom sizes are available upon request



Specifications:

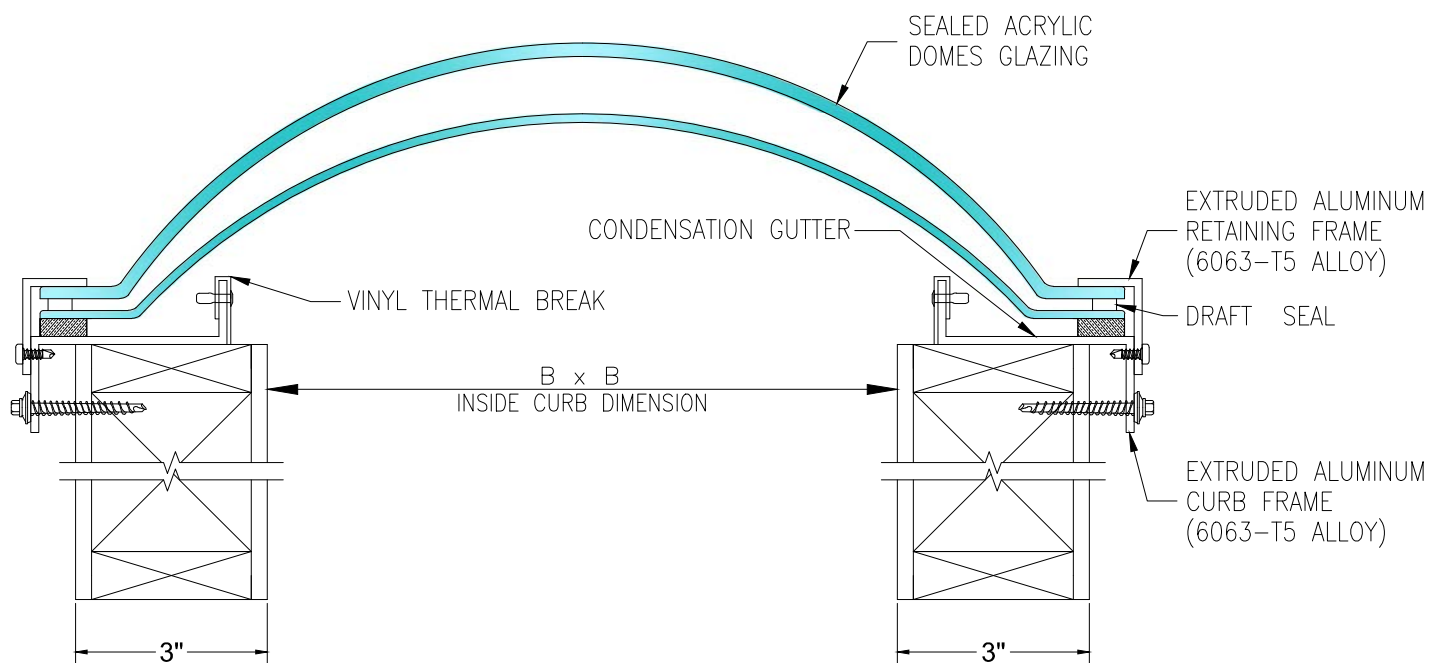
Skylight shall be factory assembled Model No. _____ CCM as manufactured by Artistic Skylight Domes Ltd. Vaughan, Ontario. Glazing shall consist of, sealed double acrylic domes (or sealed triple domes) of clear, white, bronze, or grey. skylight shall consist of aluminum curb frame with thermal break and sloped condensation gutter with drainage to exterior. Retaining cap frame shall be mill finish, 6063-T5 aluminum alloy.

Model CCM Available Sizes				
Model #	B Dimensions	Overall Curb Dimension	Dome Color	QTY
CCM 28	20½" (521mm)	26½" (673mm)		
CCM 36	28½" (724mm)	34½" (876mm)		
CCM 42	35" (889mm)	41" (1041mm)		
CCM 52	44½" (1130mm)	50½" (1283mm)		
CCM 60	53" (1346mm)	59" (1499mm)		
CCM 72	65" (1651mm)	71" (1803mm)		
CCM 80	73" (1854mm)	79" (2007mm)		
CCM 96	87½" (2223mm)	93½" (2375mm)		
CCM CUST.				
CCM CUST.				

Dome Colors Available

Dome Color	Colour Code	Dome Color	Colour Code
Clear	- C	White	- W
Bronze	- B	Grey	- G

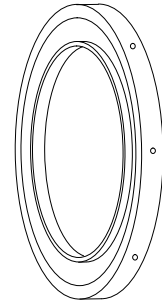
Project:		Architect:
Contractor:		
Approved By:		Date:
		DISTRIBUTOR:



Skylights conform to and exceed test requirements of CAN/CGSB-63.14M89, "Plastic Skylights", Class D, Type 2 or Type 3.

Circular skylights designed to be installed vertically in wall. These skylights mount directly into wall opening.

- Custom sizes are available upon request



Specifications:

Skylight shall be factory assembled Model No. _____ G-CWM as manufactured by Artistic Skylight Domes Ltd. Vaughan, Ontario. Glazing shall consist of, sealed dual tempered glass of clear, bronze, or grey. Skylight shall consist of double aluminum frame with thermal break and condensation drainage. Frame shall be mill finish (optional baked enamel, or clear anodized), 6063-T5 aluminum alloy.

Model G-CWM Available Sizes				
Model #	Rough Opening	Frame Dimension	Dome Color	QTY
G-CWM 28	30" (762 mm)	29¼" (743 mm)		
G-CWM 36	38" (965 mm)	37¼" (946mm)		
G-CWM 42	44½" (1130 mm)	43¾" (1111 mm)		
G-CWM 52	54" (1372 mm)	53¾" (1352 mm)		
G-CWM 60	62½" (1588 mm)	61¾" (1568 mm)		
G-CWM 72	74" (1892mm)	73¾" (1873mm)		
G-CWM 80	82½" (2096 mm)	81¾" (2076 mm)		
G-CWM 96	97" (2464 mm)	96¾" (2445 mm)		
G-CWM Cust.				
G-CWM Cust.				

Project: _____

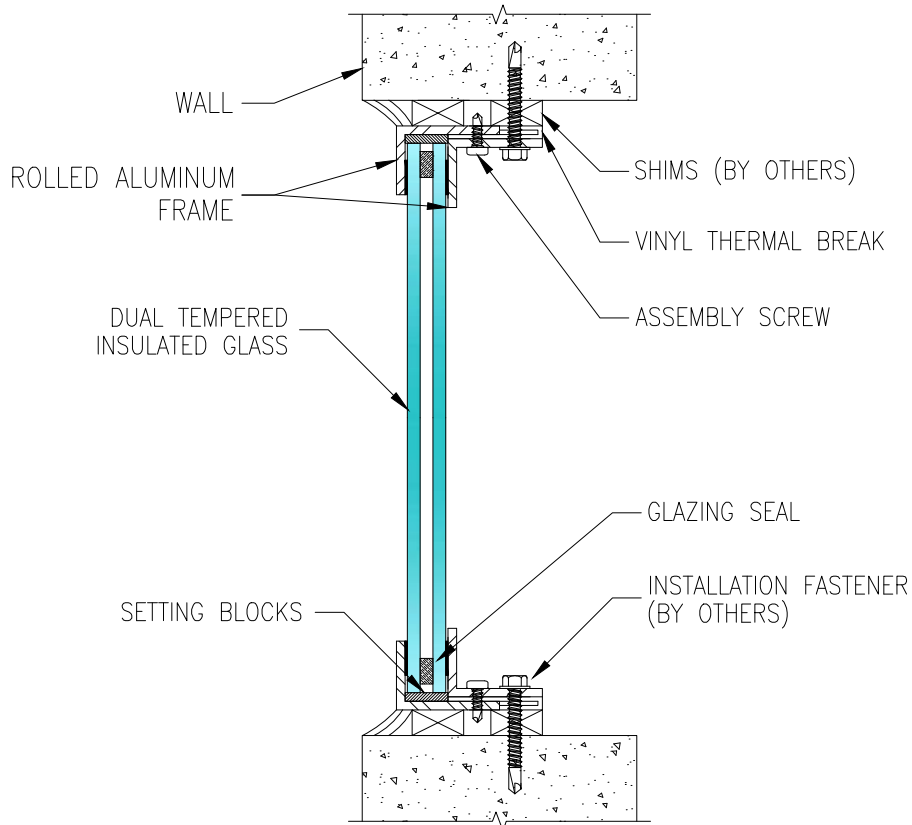
Contractor: _____

Architect: _____

Approved By: _____

Date: _____

Glass Colors Available			
Color	Colour Code	Color	Colour Code
Clear	- C	Low-E	- LE
Bronze	- B	Grey	- G



Skylights conform to and exceed test requirements of CAN/CGSB-63.14M89, "Plastic Skylights", Class D, Type 2 or Type 3.

Circular skylights designed to be installed vertically in wall. These skylights mount directly into wall opening.

- Custom sizes are available upon request



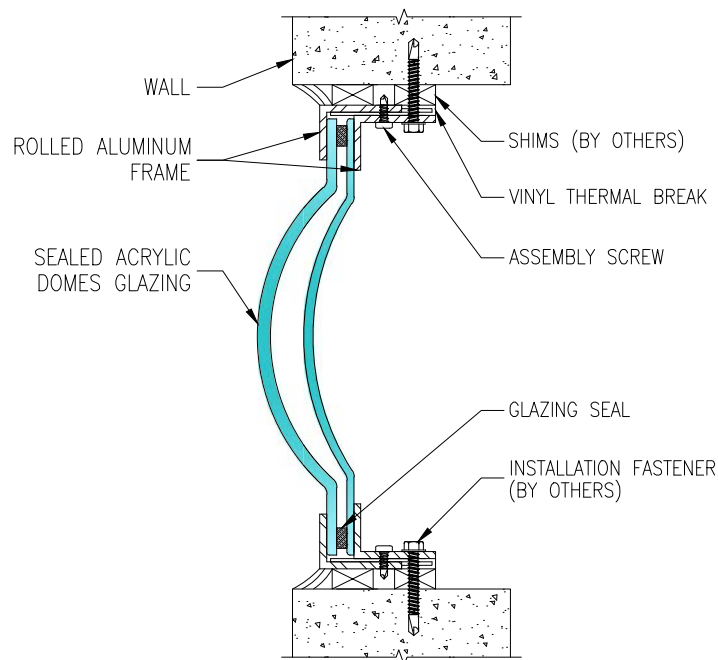
Model CWM Available Sizes				
Model #	Rough Opening	Frame Dimension	Dome Color	QTY
CWM 28	30" (762 mm)	29 $\frac{3}{4}$ " (743 mm)		
CWM 36	38" (965 mm)	37 $\frac{3}{4}$ " (946mm)		
CWM 42	44 $\frac{1}{2}$ " (1130 mm)	43 $\frac{3}{4}$ " (1111 mm)		
CWM 52	54" (1372 mm)	53 $\frac{3}{4}$ " (1352 mm)		
CWM 60	62 $\frac{1}{2}$ " (1588 mm)	61 $\frac{3}{4}$ " (1568 mm)		
CWM 72	74 $\frac{1}{2}$ " (1892mm)	73 $\frac{3}{4}$ " (1873mm)		
CWM 80	82 $\frac{1}{2}$ " (2096 mm)	81 $\frac{3}{4}$ " (2076 mm)		
CWM 96	97" (2464 mm)	96 $\frac{3}{4}$ " (2445 mm)		
CWM Cust.				
CWM Cust.				

Project:
Contractor:
Architect:
Approved By:
Date:

Dome Colors Available			
Dome Color	Colour Code	Dome Color	Colour Code
Clear	- C	White	- W
Bronze	- B	Grey	- G

Specifications:

Skylight shall be factory assembled Model No. _____ CWM as manufactured by Artistic Skylight Domes Ltd. Vaughan, Ontario. Glazing shall consist of, sealed double acrylic domes (or sealed triple domes) of clear, white, bronze, or grey. Skylight shall consist of double aluminum frame with thermal break and condensation drainage. Frame shall be mill finish (optional baked enamel), 6063-T5 aluminum alloy.



7

PYRAMID SKYLIGHTS (THERMAL FORMED PLASTIC)

- Thermal Curb Frame
- Durable Aluminum Curb Frame
- Formed Ridge Type
- Pre-Fabricated Insulated Curb
- Butted Skylight

Skylights conform to and exceed test requirements of CAN/CGSB-63.14M89, "Plastic Skylights", Class D, Type 2 or Type 3.

Skylights are suitable for use on all type roofs. Designed for mounting on 1½" (38mm) or 4" (102mm) curbs with flashing (by others), these units provide excellent performance in all geographic locations.

- Custom sizes are available upon request



Specifications:

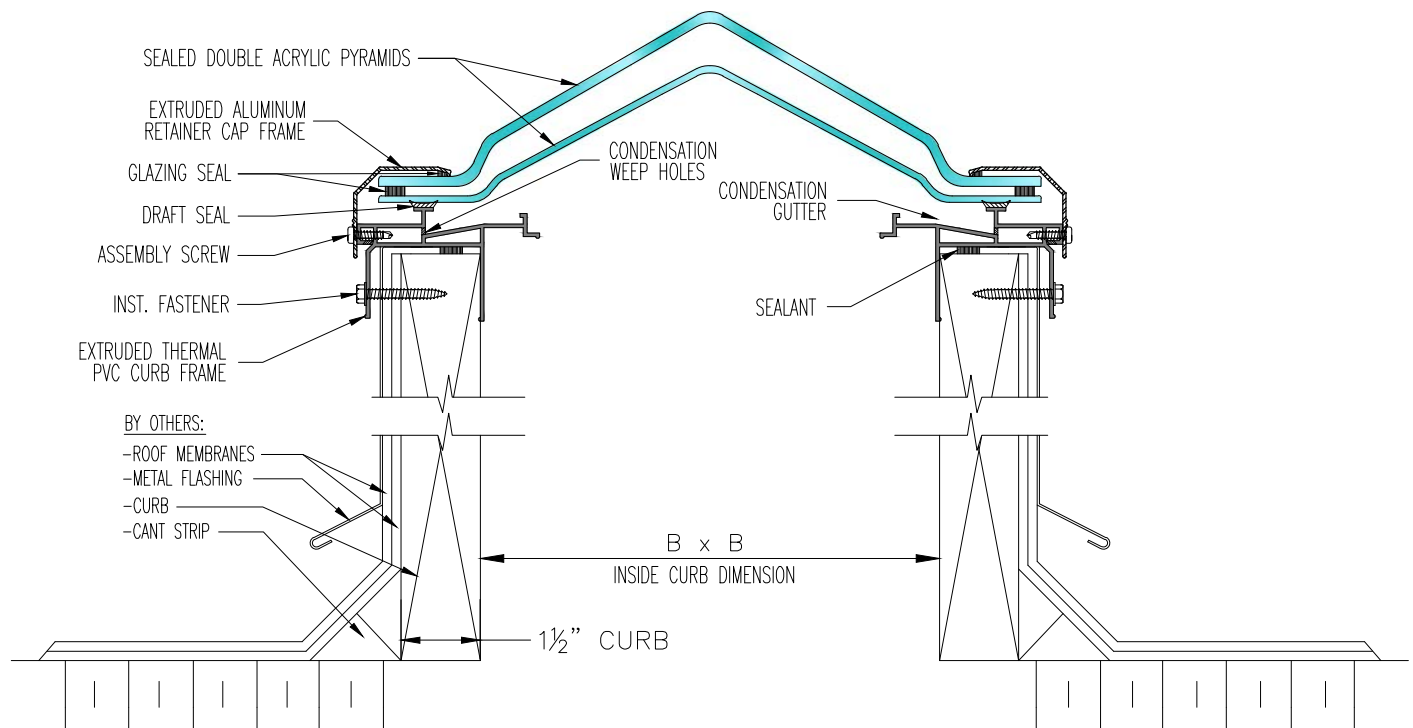
Skylight shall be factory assembled Model No. _____ P-PVCCM as manufactured by Artistic Skylight Domes Ltd. Vaughan, Ontario. Glazing shall consist of, sealed double acrylic pyramids (or sealed triple pyramids) of clear, white, bronze, or grey. The skylight shall consist of rigid high-impact extruded vinyl curb frame (superior in thermal conductivity to aluminum) which incorporates a high capacity, 10 degree sloped condensation gutter with drainage to exterior, co-extruded rubber draft seal. The retaining cap frame shall be extruded, mill finish (optional baked enamel), 6063-T5 aluminum alloy with heliarc welded corners.

Model P-PVCCM Available Sizes			
Model #	B x B Dimensions	Pyramid Color	QTY
P-PVCCM 2852	22¼" x 46¼" (565mm x 1175mm)		
P-PVCCM 3636	30¼" x 30¼" (768mm x 768mm)		
P-PVCCM 3652	30¼" x 46¼" (768mm x 1175mm)		
P-PVCCM 3676	30¼" x 69½" (768mm x 1765mm)		
P-PVCCM 4242	37" x 37" (940mm x 940mm)		
P-PVCCM 5252	46¼" x 46¼" (1175mm x 1175mm)		
P-PVCCM 6060	55" x 55" (1397mm x 1397mm)		
P-PVCCM 7272	67" x 67" (1702mm x 1702mm)		
P-PVCCM CUST.			
P-PVCCM CUST.			

Pyramid Colors Available

Pyramid Color	Colour Code	Pyramid Color	Colour Code
Clear	- C	White	- W
Bronze	- B	Grey	- G

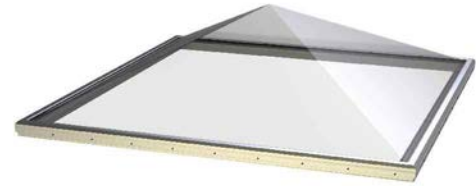
Project:	Architect:
Contractor:	Approved By:
	Date:



Skylights conform to and exceed test requirements of CAN/CGSB-63.14M89, "Plastic Skylights", Class A, Type 2 or Type 3.

Skylights are suitable for use on all type roofs. Designed for mounting on 1½" (38mm) or 4" (102mm) curbs with flashing (by others), these units provide excellent performance in all geographic locations.

- Custom sizes are available upon request



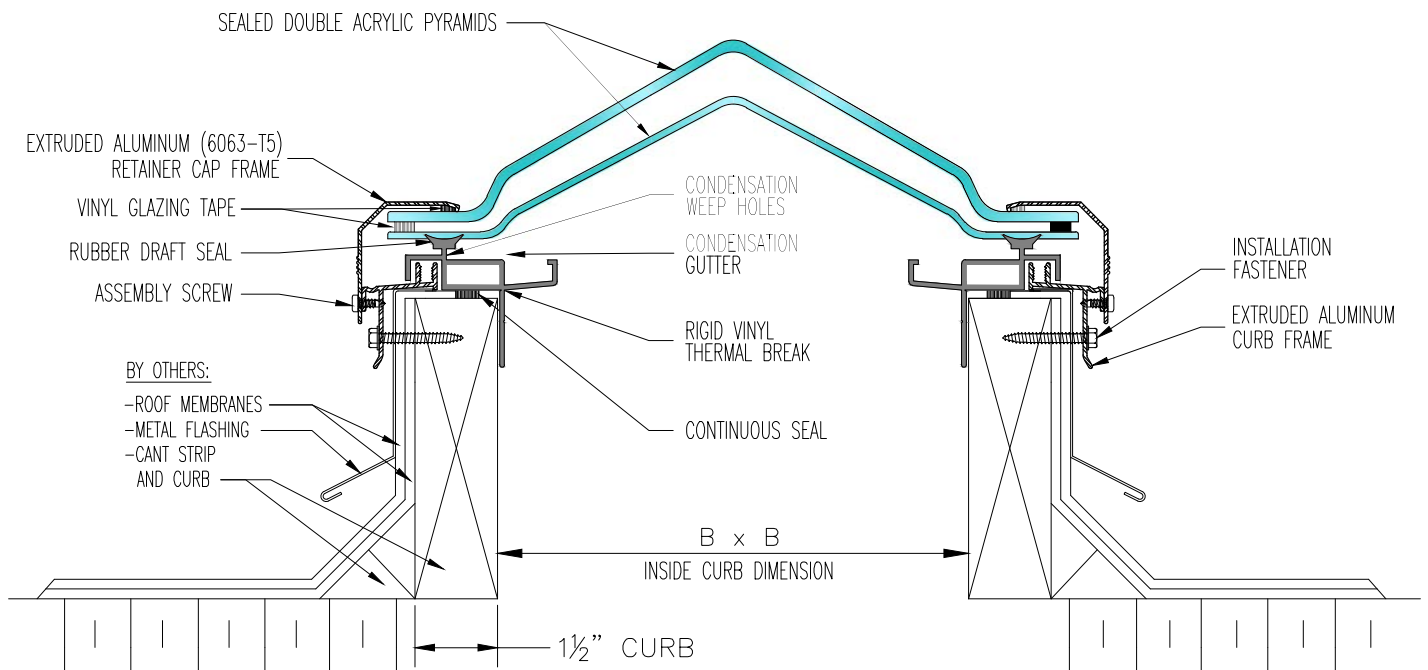
Specifications:

Skylight shall be factory assembled Model No. _____ P-FF as manufactured by Artistic Skylight Domes Ltd. Vaughan, Ontario. Glazing shall consist of, sealed double acrylic pyramids (or sealed triple pyramids) of clear, white, bronze, or grey. The skylight shall consist of corrosion resistant extruded aluminum curb frame, 6063-T5 alloy, with heliarc welded corners. The skylight curb frame shall have an extruded rigid vinyl thermal break (o prevent thermal transfer to interior of building) which incorporates a high capacity, 5 degree sloped condensation gutter with drainage to exterior, and co-extruded rubber draft seal. The retaining cap frame shall be extruded, mill finish (optional baked enamel), 6063-T5 aluminum alloy with heliarc welded corners.

Model P-FF (Point) Available Sizes			
Model #	B x B Dimensions	Pyramid Color	QTY
P-FF 2852	22¼" x 46¼" (565mm x 1175mm)		
P-FF 3636	30¼" x 30¼" (768mm x 768mm)		
P-FF 3652	30¼" x 46¼" (768mm x 1175mm)		
P-FF 3676	30¼" x 69½" (768mm x 1765mm)		
P-FF 4242	37" x 37" (940mm x 940mm)		
P-FF 5252	46¼" x 46¼" (1175mm x 1175mm)		
P-FF 5276	46¼" x 69½" (1175mm x 1765mm)		
P-FF 6060	55" x 55" (1397mm x 1397mm)		
P-FF 7272	67" x 67" (1702mm x 1702mm)		
P-FF 8080	75" x 75" (1905mm x 1905mm)		
P-FF 9696	89½" x 89½" (2273mm x 2273mm)		
P-FF CUST.			
P-FF CUST.			

Pyramid Colors Available			
Pyramid Color	Colour Code	Pyramid Color	Colour Code
Clear	- C	White	- W
Bronze	- B	Grey	- G

Project:		Architect:	
Contractor:		Approved By:	
		Date:	



Skylights conform to and exceed test requirements of CAN/CGSB-63.14M89, "Plastic Skylights", Class A, Type 2 or Type 3.

Skylights are suitable for use on all type roofs. Designed for mounting on 1½" (38mm) or 4" (102mm) curbs with flashing (by others), these units provide excellent performance in all geographic locations.

- Custom sizes are available upon request



Specifications:

Skylight shall be factory assembled Model No. _____ P-FF as manufactured by Artistic Skylight Domes Ltd. Vaughan, Ontario. Glazing shall consist of, sealed double acrylic pyramids (or sealed triple pyramids) of clear, white, bronze, or grey. The skylight shall consist of corrosion resistant extruded aluminum curb frame, 6063-T5 alloy, with heliarc welded corners. The skylight curb frame shall have an extruded rigid vinyl thermal break (o prevent thermal transfer to interior of building) which incorporates a high capacity, 5 degree sloped condensation gutter with drainage to exterior, and co-extruded rubber draft seal. The retaining cap frame shall be extruded, mill finish (optional baked enamel), 6063-T5 aluminum alloy with heliarc welded corners.

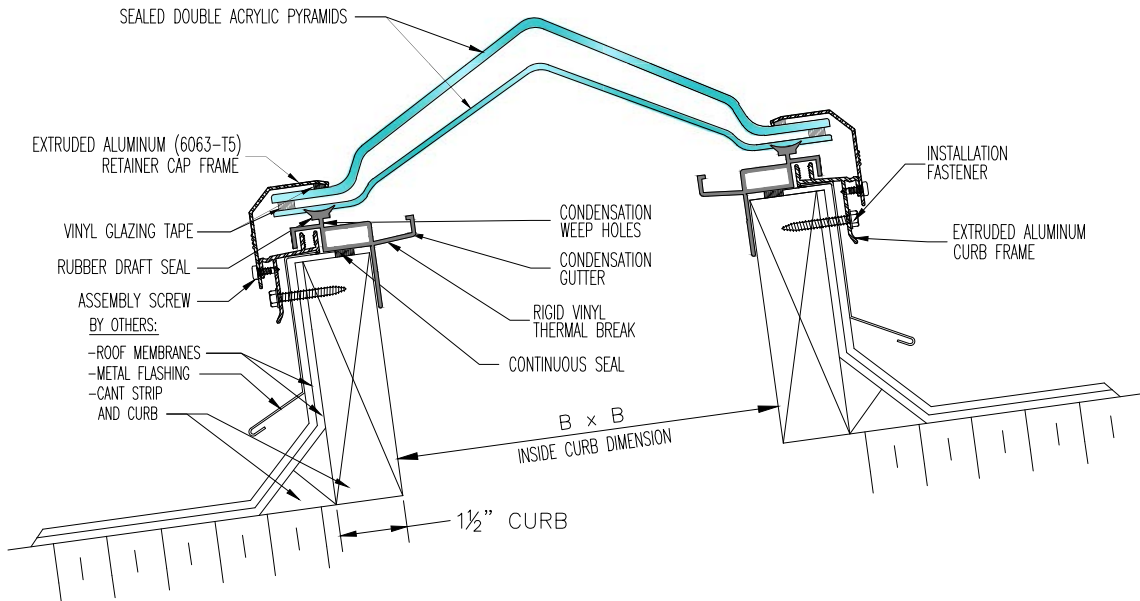
Model P-FF Available Sizes

Model #	B x B Dimensions	Pyramid Color	QTY
P-FF 2852	22¼" x 46¼" (565mm x 1175mm)		
P-FF 3636	30¼" x 30¼" (768mm x 768mm)		
P-FF 3652	30¼" x 46¼" (768mm x 1175mm)		
P-FF 3676	30¼" x 69½" (768mm x 1765mm)		
P-FF 4242	37" x 37" (940mm x 940mm)		
P-FF 4280	37" x 75" (940mm x 1905mm)		
P-FF 5252	46¼" x 46¼" (1175mm x 1175mm)		
P-FF 5260	46¼" x 55" (1175mm x 1397mm)		
P-FF 5276	46¼" x 69½" (1175mm x 1765mm)		
P-FF 5296	46¼" x 89½" (1175mm x 2273mm)		
P-FF 6060	55" x 55" (1397mm x 1397mm)		
P-FF 6076	55" x 69½" (1397mm x 1765mm)		
P-FF 7272	67" x 67" (1702mm x 1702mm)		
P-FF 8080	75" x 75" (1905mm x 1905mm)		
P-FF 9696	89½" x 89½" (2273mm x 2273mm)		
P-FF CUST.			
P-FF CUST.			

Pyramid Colors Available

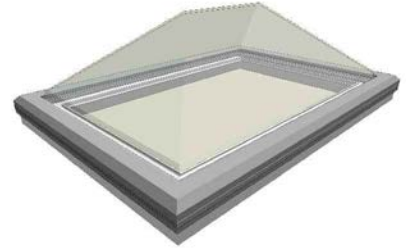
Pyramid Color	Colour Code	Pyramid Color	Colour Code
Clear	- C	White	- W
Bronze	- B	Grey	- G

Project:	Architect:
Contractor:	Approved By:
	Date:



Model P-PVCCM (Ridge-Hip End)

Pyramid Curb Mount Skylight (flat roof detail)



Skylights conform to and exceed test requirements of CAN/CGSB-63.14M89, "Plastic Skylights", Class D, Type 2 or Type 3.

Skylights are suitable for use on all type roofs. Designed for mounting on 1½" (38mm) or 4" (102mm) curbs with flashing (by others), these units provide excellent performance in all geographic locations.

- Custom sizes are available upon request

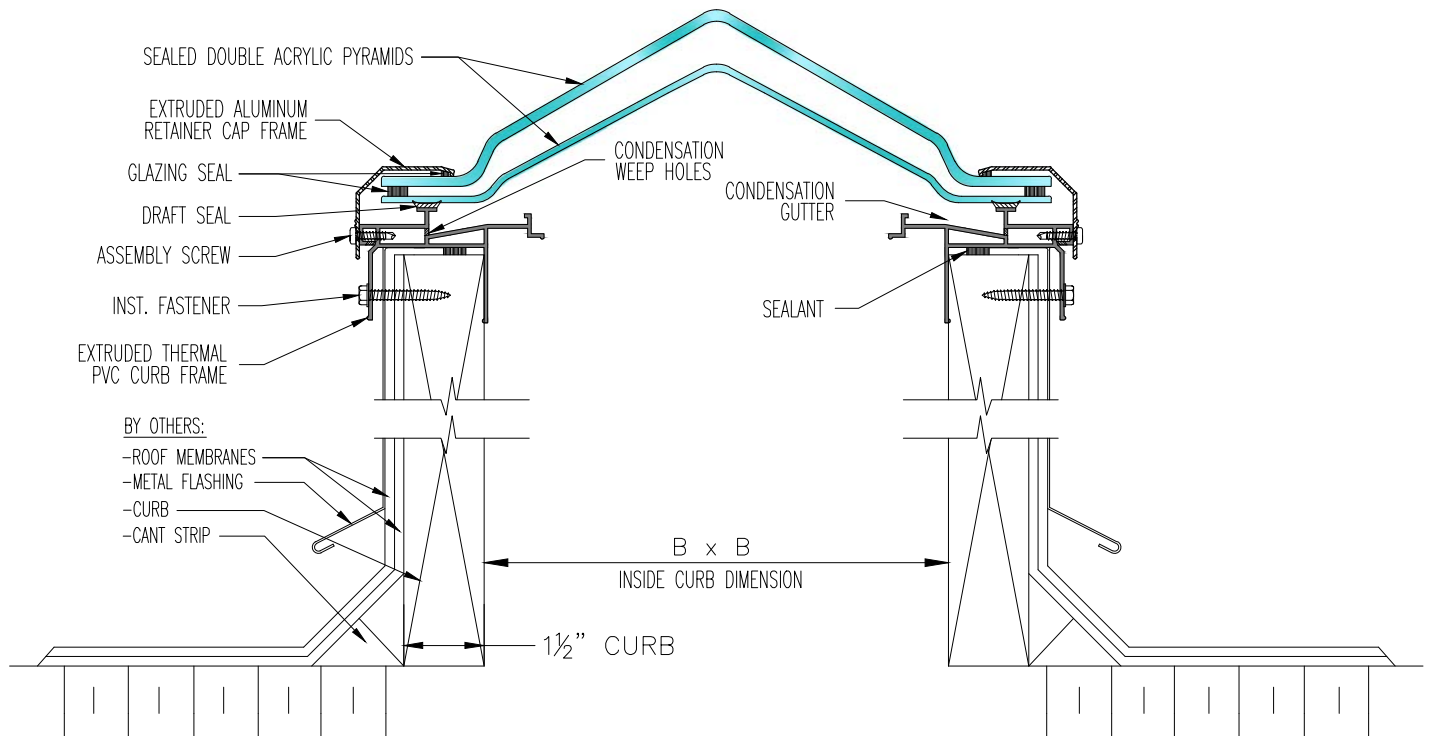
Model P-PVCCM Available Sizes				
Model #	B x B Dimensions		Pyramid Color	QTY
P-PVCCM 3660	30¾" x 55"	(768mm x 1397mm)		
P-PVCCM 4280	37" x 75"	(940mm x 1905mm)		
P-PVCCM 5260	46¼" x 55"	(1175mm x 1397mm)		
P-PVCCM 5276	46¼" x 69½"	(1175mm x 1765mm)		
P-PVCCM 5296	46¼" x 89½"	(1175mm x 2273mm)		
P-PVCCM 6076	55" x 69½"	(1397mm x 1765mm)		
P-PVCCM 7296	67" x 89½"	(1702mm x 2273mm)		
P-PVCCM CUST.				
P-PVCCM CUST.				

Pyramid Colors Available			
Pyramid Color	Colour Code	Pyramid Color	Colour Code
Clear	- C	White	- W
Bronze	- B	Grey	- G

Project:	Architect:
Contractor:	Approved By:
	Date:

Specifications:

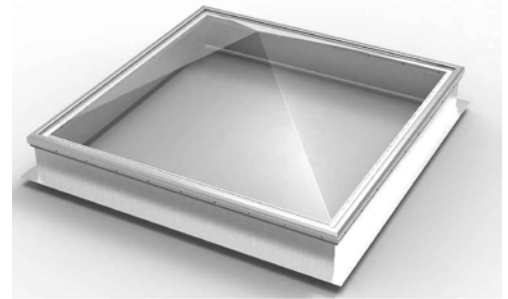
Skylight shall be factory assembled Model No. _____ P-PVCCM as manufactured by Artistic Skylight Domes Ltd. Vaughan, Ontario. Glazing shall consist of, sealed double acrylic pyramids (or sealed triple pyramids) of clear, white, bronze, or grey. The skylight shall consist of rigid high-impact extruded vinyl curb frame (superior in thermal conductivity to aluminum) which incorporates a high capacity, 10 degree sloped condensation gutter with drainage to exterior, co-extruded rubber draft seal. The retaining cap frame shall be extruded, mill finish (optional baked enamel), 6063-T5 aluminum alloy with heliac welded corners.



Skylights conform to and exceed test requirements of CAN/CGSB-63.14M89, "Plastic Skylights", Class D, Type 2 or Type 3.

Skylights designed to be installed on flat roofs, and are similar to model CL, including insulated curb. Pyramid glazing is added for enhanced visual effect.

- Custom sizes are available upon request



Specifications:

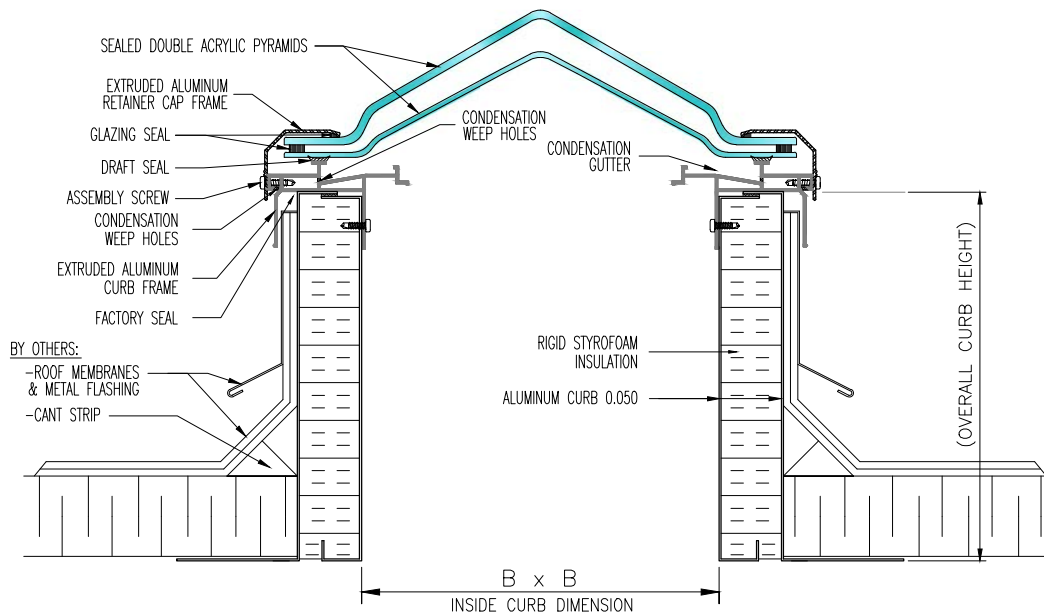
Skylight shall be factory assembled Model No. _____ P-CL as manufactured by Artistic Skylight Domes Ltd. Vaughan, Ontario. Glazing shall consist of, sealed double acrylic pyramids (or sealed triple pyramids) of clear, white, bronze, or grey. The skylight shall consist of rigid high-impact extruded vinyl curb frame (superior in thermal conductivity to aluminum) which incorporates a high capacity, 10 degree sloped condensation gutter with drainage to exterior, co-extruded rubber draft seal. The retaining cap frame shall be extruded, mill finish (optional baked enamel), 6063-T5 aluminum alloy with heliarc welded corners.

Curb shall be, 9" high (optional 12") mill finish aluminum, 2 piece construction of .050 outer wall and .050 inner wall, with 2" thick insulation and 3" aluminum mounting flange.

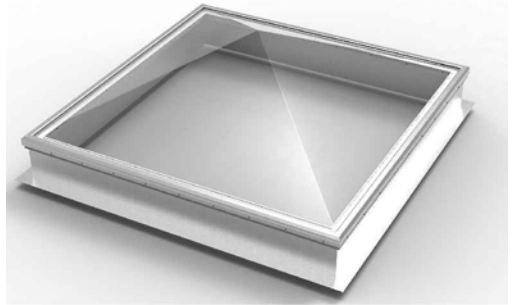
Model P-CL Available Sizes			
Model #	B x B Dimensions	Pyramid Color	QTY
P-CL 2852	22¼" x 46¼" (565mm x 1175mm)		
P-CL 3636	30¼" x 30¼" (768mm x 768mm)		
P-CL 3652	30¼" x 46¼" (768mm x 1175mm)		
P-CL 3676	30¼" x 69½" (768mm x 1765mm)		
P-CL 4242	37" x 37" (940mm x 940mm)		
P-CL 4280	37" x 75" (940mm x 1905mm)		
P-CL 5252	46¼" x 46¼" (1175mm x 1175mm)		
P-CL 5260	46¼" x 55" (1175mm x 1397mm)		
P-CL 5276	46¼" x 69½" (1175mm x 1765mm)		
P-CL 5296	46¼" x 89½" (1175mm x 2273mm)		
P-CL 6060	55" x 55" (1397mm x 1397mm)		
P-CL 6076	55" x 69½" (1397mm x 1765mm)		
P-CL 7272	67" x 67" (1702mm x 1702mm)		
P-CL 8080	75" x 75" (1905mm x 1905mm)		
P-CL 9696	89½" x 89½" (2273mm x 2273mm)		
P-CL CUST.			
P-CL CUST.			

Pyramid Colors Available			
Pyramid Color	Colour Code	Pyramid Color	Colour Code
Clear	- C	White	- W
Bronze	- B	Grey	- G

Project:	Architect:
Contractor:	Approved By:
	Date:



Insulated Curb Pyramid Skylight (for flat roofs)



Skylights conform to and exceed test requirements of CAN/CGSB-63.14M89, "Plastic Skylights", Class A, Type 2 or Type 3.

Skylights designed to be installed on flat roofs, and are similar to model CL-FF, including insulated curb. Pyramid glazing is added for enhanced visual effect.

- Custom sizes are available upon request

Specifications:

Skylight shall be factory assembled Model No. _____ P-CL-FF as manufactured by Artistic Skylight Domes Ltd. Vaughan, Ontario. Glazing shall consist of, sealed double acrylic pyramids (or sealed triple pyramids) of clear, white, bronze, or grey. The skylight shall consist of corrosion resistant extruded aluminum curb frame, 6063-T5 alloy, with heliarc welded corners. The skylight curb frame shall have an extruded rigid vinyl thermal break (to prevent thermal transfer to interior of building) which incorporates a high capacity, 5 degree sloped condensation gutter with drainage to exterior, and co-extruded rubber draft seal. The retaining cap frame shall be extruded, mill finish (optional baked enamel), 6063-T5 aluminum alloy with heliarc welded corners.

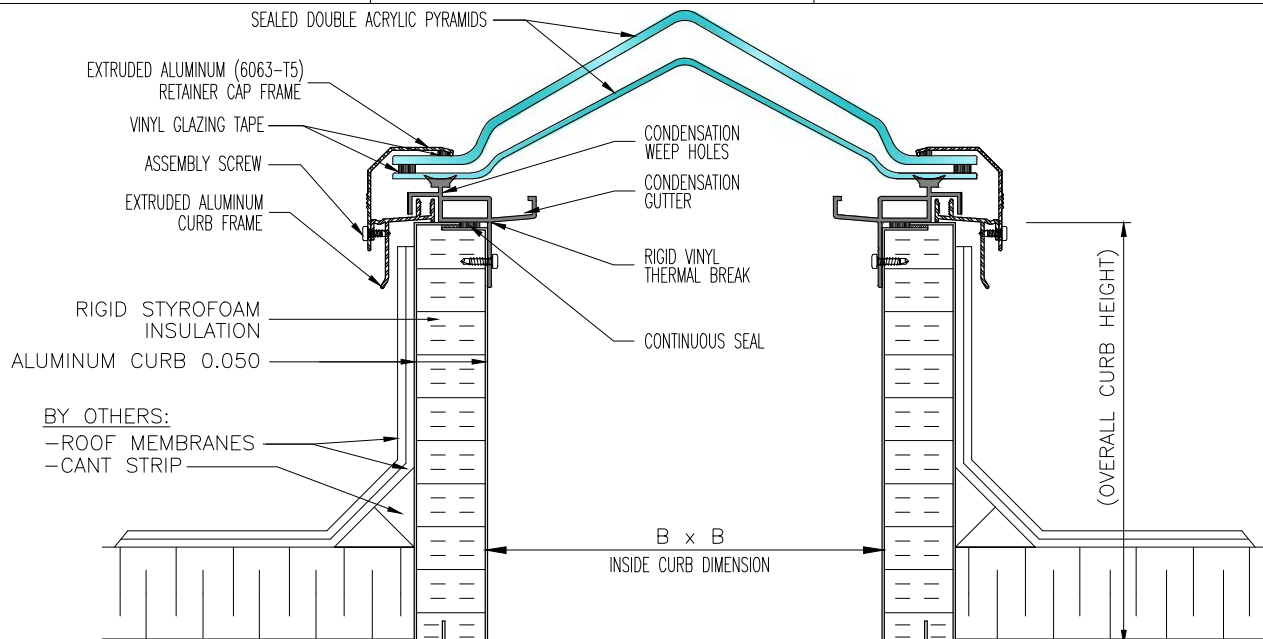
Curb shall be, 9" high (optional 12") mill finish aluminum, 2 piece construction of .050 outer wall and .050 inner wall, with 2" thick insulation and 3" aluminum mounting flange.

Model P-CL-FF Available Sizes			
Model #	B x B Dimensions	Pyramid Color	QTY
P-CL-FF 2852	22¼" x 46¼" (565mm x 1175mm)		
P-CL-FF 3636	30¼" x 30¼" (768mm x 768mm)		
P-CL-FF 3652	30¼" x 46¼" (768mm x 1175mm)		
P-CL-FF 3676	30¼" x 69½" (768mm x 1765mm)		
P-CL-FF 4242	37" x 37" (940mm x 940mm)		
P-CL-FF 4280	37" x 75" (940mm x 1905mm)		
P-CL-FF 5252	46¼" x 46¼" (1175mm x 1175mm)		
P-CL-FF 5260	46¼" x 55" (1175mm x 1397mm)		
P-CL-FF 5276	46¼" x 69½" (1175mm x 1765mm)		
P-CL-FF 5296	46¼" x 89½" (1175mm x 2273mm)		
P-CL-FF 6060	55" x 55" (1397mm x 1397mm)		
P-CL-FF 6076	55" x 69½" (1397mm x 1765mm)		
P-CL-FF 7272	67" x 67" (1702mm x 1702mm)		
P-CL-FF 8080	75" x 75" (1905mm x 1905mm)		
P-CL-FF 9696	89½" x 89½" (2273mm x 2273mm)		
P-CL-FF CUST.			
P-CL-FF CUST.			

Pyramid Colors Available

Pyramid Color	Colour Code	Pyramid Color	Colour Code
Clear	- C	White	- W
Bronze	- B	Grey	- G

Project:	Architect:
Contractor:	Approved By:
	Date:



8

HATCH-LITES

- Curb Mount (Flat & Slope Roof)
- Pre-Fabricated Insulated Curb

Skylights conform to and exceed test requirements of CAN/CGSB-63.14M89, "Plastic Skylights", Class A, Type 2 or Type 3.

Skylights are suitable for use on flat roofs. Designed for mounting on 1½" (38mm) curbs with flashing (by others), these units combine the natural light of standard skylights with the utility of roof access.

- Custom sizes are available upon request



Specifications:

Skylight shall be factory assembled Model No. _____ HL-FF as manufactured by Artistic Skylight Domes Ltd. Vaughan, Ontario. Glazing shall consist of, sealed double acrylic domes (or sealed triple domes) of clear, white, bronze, or grey. The hatch shall consist of corrosion resistant extruded aluminum curb frame, 6063-T5 alloy, with heliarc welded corners. The skylight shall have an extruded vinyl thermal break (to prevent thermal transfer to interior of building) which incorporates a high capacity, 8 degree sloped condensation gutter with drainage to exterior. The retaining cap frame shall be extruded, mill finish, 6063-T5 aluminum alloy with heliarc welded corners. This model is fully operational to 70 degrees, controlled by two #30 gas cylinders and grab handle. Hatch shall lock with two spring latch bolts.

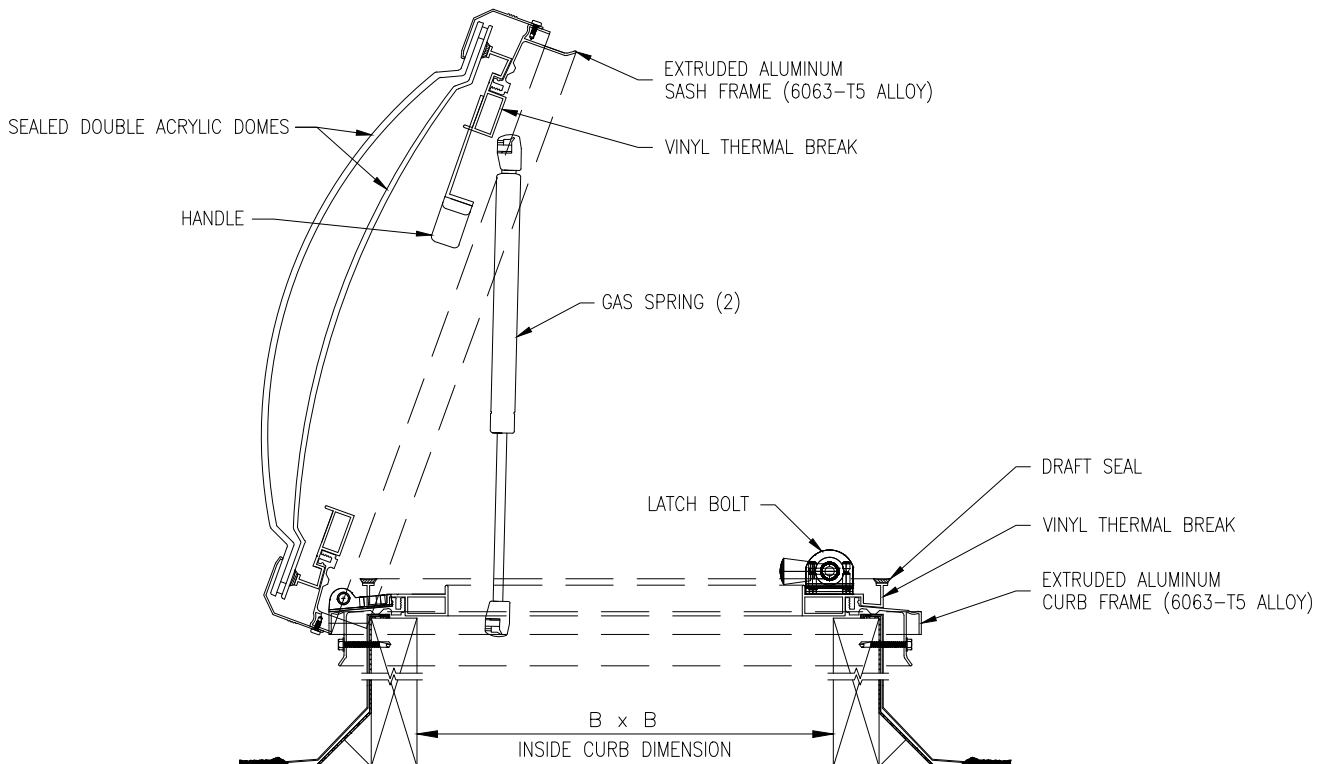
Model HL-FF Available Sizes

Model #	B x B Dimensions	Dome Color	QTY
HL-FF 3636	30¼" x 30¼" (768mm x 768mm)		
HL-FF 3642	30¼" x 37" (768mm x 940mm)		
HL-FF 3652	30¼" x 46¼" (768mm x 1175mm)		
HL-FF 3676	30¼" x 69½" (768mm x 1765mm)		
HL-FF 4242	37" x 37" (940mm x 940mm)		
HL-FF 4252	37" x 46¼" (940mm x 1175mm)		
HL-FF 5252	46¼" x 46¼" (1175mm x 1175mm)		
HL-FF CUST.			
HL-FF CUST.			

Dome Colors Available

Dome Color	Colour Code	Dome Color	Colour Code
Clear	- C	White	- W
Bronze	- B	Grey	- G

Project:	
Contractor:	Approved By:
Architect:	Date:



Skylights conform to and exceed test requirements of CAN/CGSB-63.14M89, "Plastic Skylights", Class A, Type 2 or Type 3.

Skylights are suitable for use on slope roofs. Designed for mounting on 1½" (38mm) curbs with flashing (by others), these units combine the natural light of standard skylights with the utility of roof access.

- Custom sizes are available upon request



Specifications:

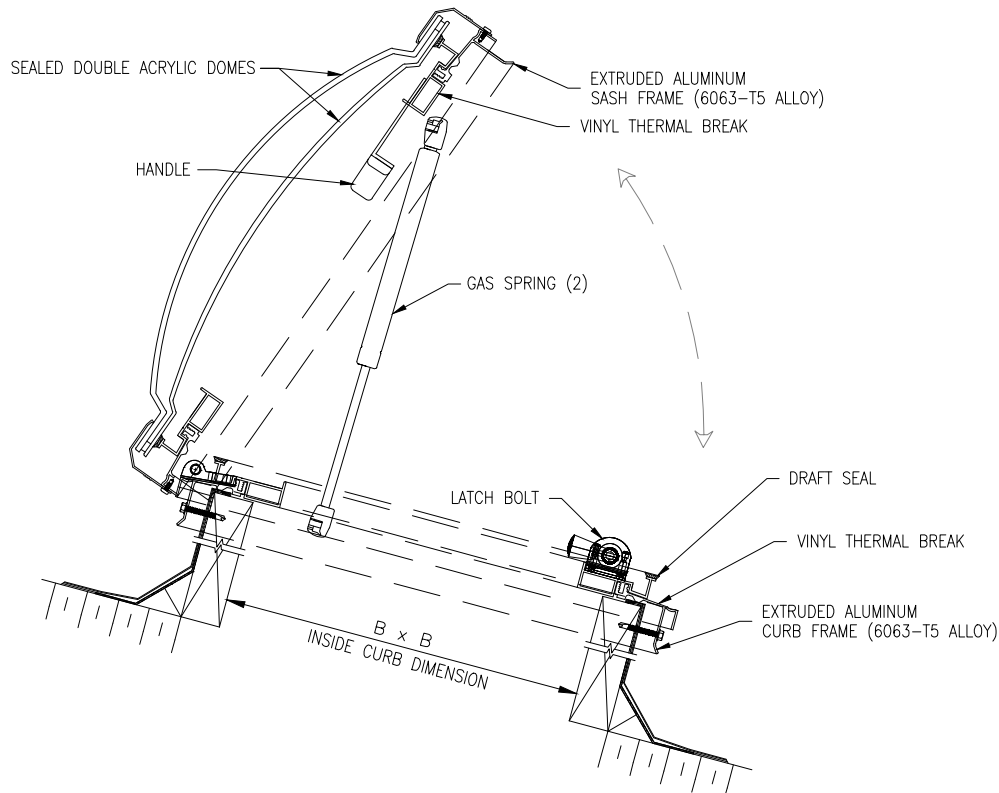
Skylight shall be factory assembled Model No. _____ HL-FF as manufactured by Artistic Skylight Domes Ltd. Vaughan, Ontario. Glazing shall consist of, sealed double acrylic domes (or sealed triple domes) of clear, white, bronze, or grey. The hatch shall consist of corrosion resistant extruded aluminum curb frame, 6063-T5 alloy, with heliarc welded corners. The skylight shall have an extruded vinyl thermal break (to prevent thermal transfer to interior of building) which incorporates a high capacity, 8 degree sloped condensation gutter with drainage to exterior. The retaining cap frame shall be extruded, mill finish, 6063-T5 aluminum alloy with heliarc welded corners. This model is fully operational to 70 degrees, controlled by two #30 gas cylinders and grab handle. Hatch shall lock with two spring latch bolts.

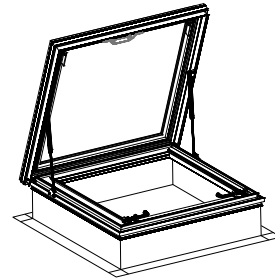
Model HL-FF Available Sizes

Model #	B x B Dimensions	Dome Color	QTY
HL-FF 3636	30¼" x 30¼" (768mm x 768mm)		
HL-FF 3642	30¼" x 37" (768mm x 940mm)		
HL-FF 3652	30¼" x 46¼" (768mm x 1175mm)		
HL-FF 3676	30¼" x 69½" (768mm x 1765mm)		
HL-FF 4242	37" x 37" (940mm x 940mm)		
HL-FF 4252	37" x 46¼" (940mm x 1175mm)		
HL-FF 5252	46¼" x 46¼" (1175mm x 1175mm)		
HL-FF CUST.			
HL-FF CUST.			

Dome Colors Available			
Dome Color	Colour Code	Dome Color	Colour Code
Clear	- C	White	- W
Bronze	- B	Grey	- G

Project:	
Contractor:	Approved By:
Architect:	Date:





Skylights conform to and exceed test requirements of CAN/CGSB-63.14M89, "Plastic Skylights", Class A, Type 2 or Type 3.

Skylights are suitable for use on flat roofs, complete with insulated aluminum curb and mounts directly over roof opening. These units provide all the features of the model HL-FF with the added convenience of an insulated curb.

- Custom sizes are available upon request

Specifications:

Skylight shall be factory assembled Model No. _____ HL-CL-FF as manufactured by Artistic Skylight Domes Ltd. Vaughan, Ontario. Glazing shall consist of, sealed double acrylic domes (or sealed triple domes) of clear, white, bronze, or grey. The hatch shall consist of corrosion resistant extruded aluminum curb frame, 6063-T5 alloy, with heliarc welded corners. The skylight shall have an extruded vinyl thermal break (to prevent thermal transfer to interior of building) (superior in thermal conductivity to aluminum) which incorporates a high capacity, 8 degree sloped condensation gutter with drainage to exterior. The retaining cap frame shall be extruded, mill finish, 6063-T5 aluminum alloy with heliarc welded corners. This model is fully operational to 70 degrees, controlled by two #30 gas cylinders and grab handle. Hatch shall lock with two spring latch bolts. Curb shall be, 9" high (optional 12") mill finish aluminum, 2 piece construction of .050 outer wall and .050 inner wall, with 2" thick insulation and 3" aluminum mounting flange.

Model HL-CL-FF Available Sizes			
Model #	B x B Dimensions	Dome Color	QTY
HL-CL-FF 3636	30 1/4" x 30 1/4" (768mm x 768mm)		
HL-CL-FF 3642	30 1/4" x 37" (768mm x 940mm)		
HL-CL-FF 3652	30 1/4" x 46 1/4" (768mm x 1175mm)		
HL-CL-FF 3672	30 1/4" x 67" (768mm x 1702mm)		
HL-CL-FF 4242	37" x 37" (940mm x 940mm)		
HL-CL-FF 4252	37" x 46 1/4" (940mm x 1175mm)		
HL-CL-FF 5252	46 1/4" x 46 1/4" (1175mm x 1175mm)		
HL-CL-FF CUST.			
HL-CL-FF CUST.			
Dome Colors Available			
Dome Color	Colour Code	Dome Color	Colour Code
Clear	- C	White	- W
Bronze	- B	Grey	- G
Project:			
Contractor:		Approved By:	
Architect:		Date:	

