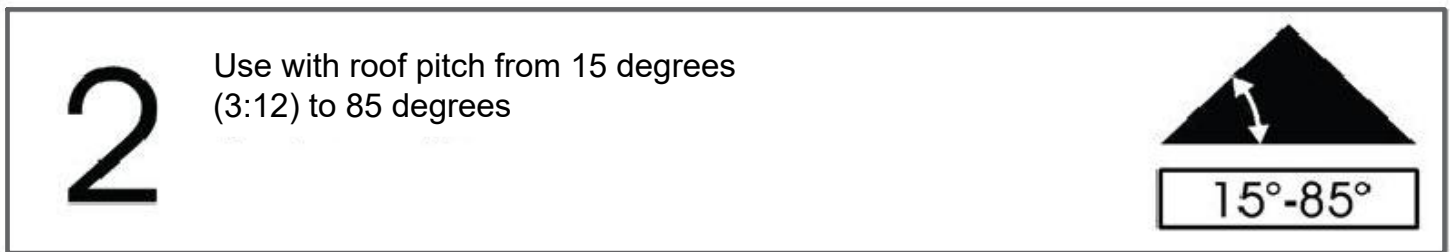
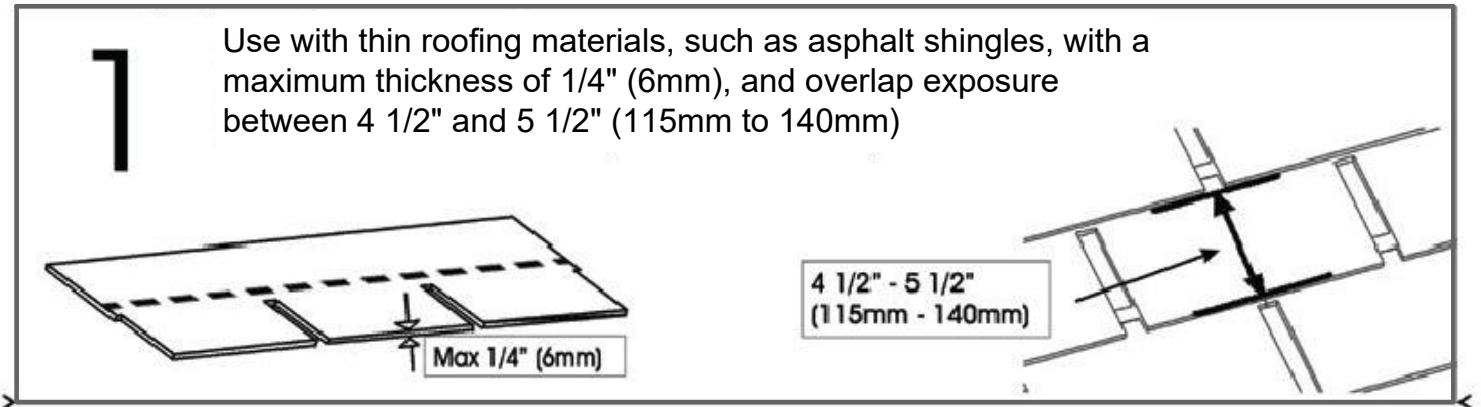


# INSTALLATION INSTRUCTIONS FOR SELF FLASHING SKYLIGHTS

This skylight type is designed for...

## PVCSR & SR



## INSTALLATION PROCEDURE (READ CAREFULLY)

(1) Locate, measure and cut out roof opening based on skylight dimension (Rough Opening)

(2) Remove shingles a minimum of 24" along both

Leave shingles along bottom tight to opening (Notch if shingles extend into opening)

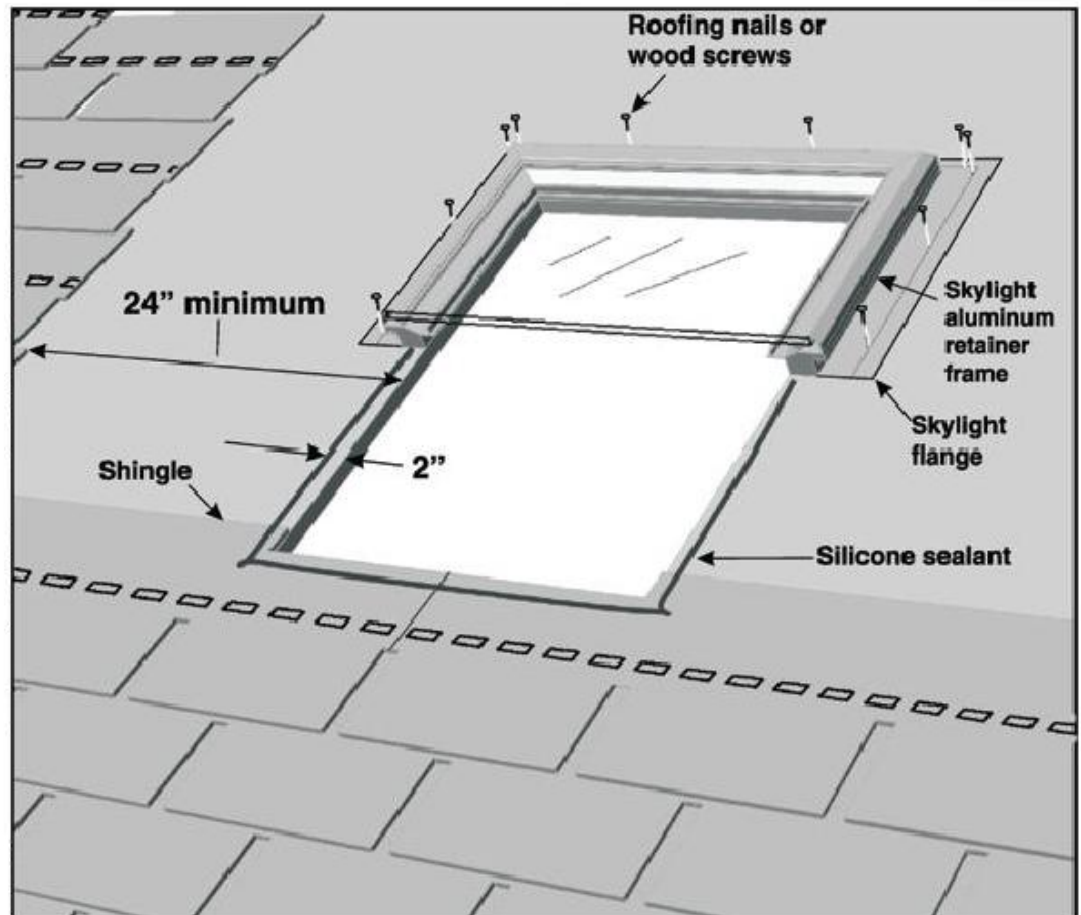
(3) Apply a thick bead of silicone sealant approx. 2"

around.

(4) Set skylight over opening and centre with slope label at bottom corner (ensure bottom flange of skylight overlaps shingle).

(5) Fasten using roofing nails or flat head wood screws, through pre-punched holes in flange

NOTE: More fasteners may be installed by pre-drilling skylight flange first.



# INSTALLATION PROCEDURE cont'd

(6) Install 18" underlayment over flange of skylight on two sides, overlapping the skylight flange minimum 2" beginning flush at bottom flange and running up sides past top flange a min of 12"

NOTE: Use Only ExoAir® 110AT Air and Vapor Barrier by Tremco®

(7) Install 18" underlayment across top flange of skylight, overlapping flange a minimum of 12" past skylight corners on each side

(8) Begin replacing shingles working from bottom towards top, and cut shingles flush with edge of underlayment.

IMPORTANT : Do not nail through skylight flange when securing shingles.

NOTE (A): Trim top corner of shingles adjacent to skylight at 45° slope towards skylight.

(9) Install pre-formed metal back pan over aluminum retainer frame of skylight and down over 1st course of > shingles directly above skylights, extend back pan a min of 12" under shingles and a min of 2" past each corner of skylight.

(10) Secure back pan with bead of silicone between pan and aluminum retainer frame of skylight.

(11) Finish replacing rest of shingles.

NOTE: To allow for proper drainage, do not apply any roof mastic or other sealants along sides of skylight.

